



SHURLOK PARTS CATALOG



THE COMPLETE LISTING OF SHURLOK INVENTORY

***SHURLOK PARTS**

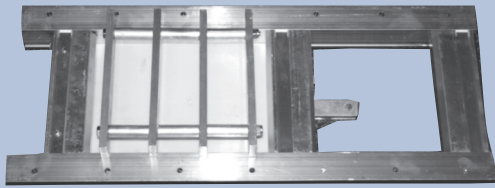
***INFO AND OPTIONS**

***BOX DETAIL SHEETS**

TO PLACE AN ORDER CALL (717)445-6432

ZIMM-O-MATIC LLC

Truck & Trailer Repair



TRAP-EZE™ FLOOR TRAP P/N 1101494

Super-smooth operation – no binding! Durable nylon slide glides cleanly on its aluminum track. Welded aluminum frame will not rust.

TARP REPAIR SUPPLIES

ITEM	PART #	DESCRIPTION
	1108059	Professional Tarp Repair Kit
	1102111	Standard Tarp Repair Kit
	1801724	Vinyl Patch Kit (Donovan 4613)
	1703251	Handi Grommet Kit w/Grommets
1	1111869	2" x 3" Patch w/Radius Corners
2	1111870	3" x 4" Patch w/Radius Corners
3	1111871	4" x 5" Patch w/Radius Corners
4	1111872	3" Round Patch
5	1701391	Wooden Roller
6	1107371	Vinyl Tarp Remnant (specify color or may vary)
7	1700697	HH-66 Thinner - Pint
8	1700602	HH-66 Thinner - Gallon
9	1700356	HH-66 Vinyl Cement - 8 Oz.
10	1801723	HH-66 Vinyl Cement - Pint (Donovan 4606)
11	1700355	HH-66 Vinyl Cement - Quart
12	1700354	HH-66 Vinyl Cement - Gallon
13	1700673	#3 Brass Grommet (minimum order 25)



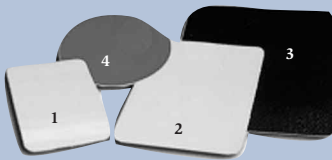
PROFESSIONAL KIT
INCLUDES SCISSORS,
10 SQ. FT. REPAIR
FABRIC, ROLLER,
HEAT GUN/NOZZLE
AND INSTRUCTIONS



VINYL PATCH KIT
INCLUDES 15 SQ. FT.
REPAIR FABRIC
AND 1 PT. CEMENT

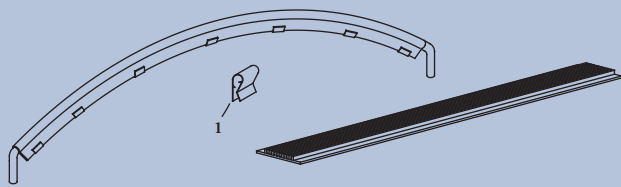


STANDARD KIT
INCLUDES 1 PT. THINNER,
1 QT. CEMENT, INSTRUCTIONS
AND 10 SQ. FT. REPAIR FABRIC



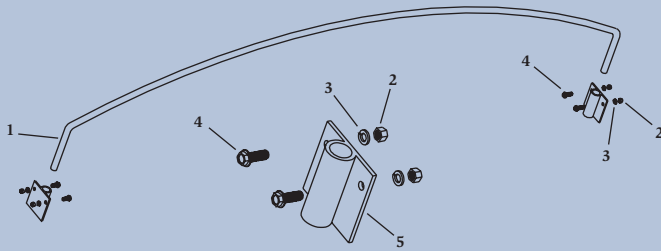
GROMMET KIT
INCLUDES CUTTER,
HANDLE, BASE,
GROMMETS
AND WASHERS





BOW COVERS

ITEM	PART #	DESCRIPTION
	1106732	Standard Bow Cover Kit w/Clips
	1107177	X-Wide Bow Cover Kit w/Clips
	1107158	Bulk Bow Cover Kit (10) w/100' Bow Cover/ 132 Clips
1	1701234	Bow Cover Clip

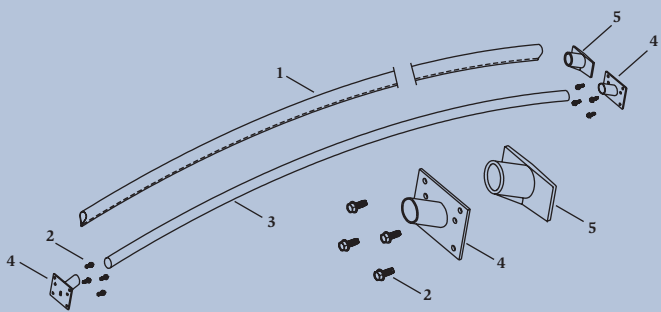


BOWS – ALUMINUM

ITEM	PART #	DESCRIPTION
1		Solid Aluminum Bow* ** - Low Rise Solid Aluminum Bow* ** - High Rise
2	1700407	Hex Nut - 3/8"
3	1700434	Lock Washer - 3/8"
4	1700400	Self-Tapping Screw - 3/8" x 1"
5	1109110	Aluminum Bow Pocket

*Pockets, mounting hardware NOT included – set-up fee applies.

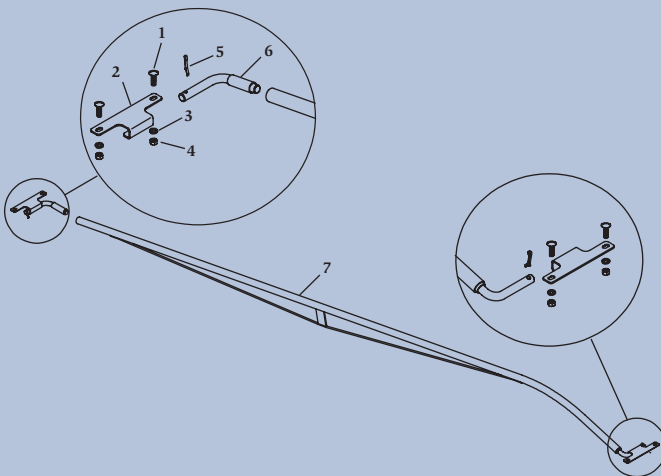
**Low-rise bows have an 8" rise; high-rise bows have a 12" rise.



BOWS – DURABOW™

ITEM	PART #	DESCRIPTION
	1123544	Durabow™ Bow Kit - 97" - Steel Bracket [Includes 3; 2 of 4; 8 of 2]
	1123541	Durabow™ Bow Kit - 102" - Steel Bracket [Includes 3; 2 of 4; 8 of 2]
	1123545	Durabow™ Bow Kit - 97" - Aluminum Bracket [Includes 3; 2 of 5; 8 of 2]
	1123542	Durabow™ Bow Kit - 102" - Aluminum Bracket [Includes 3; 2 of 5; 8 of 2]
	1110653	Mounting Hardware Kit - Steel [Incl. 2 of 4; 8 of 2]
	1110657	Mounting Hardware Kit - Aluminum [Includes 2 of 5; 8 of 2]
	1115971	Mounting Fasteners - Durabow™ [Includes 8 of 2]
1	1111335	Durabow™ Bow Sock
	1704046	Diamondback Durabow™ Bow Sock (per foot)
2	1700400	Self-Tapping Screw - 3/8" x 1"
3	1705128	Durabow™ - 97"
	1705129	Durabow™ - 102"
	1702857	Replacement Flexbow®*
4	1122932	Durabow™ Bracket - Steel*
5	1704165	Durabow™ Bracket - Aluminum

*Durabow™ brackets fit Flexbow® and Durabow™, but Durabow™ will NOT fit Flexbow® brackets. If ordering P/N 1702857 replacement Flexbow®, order P/N 1123544 or P/N 1123541 Durabow™ Kits for brackets.



BOWS – FLAT X-WIDE

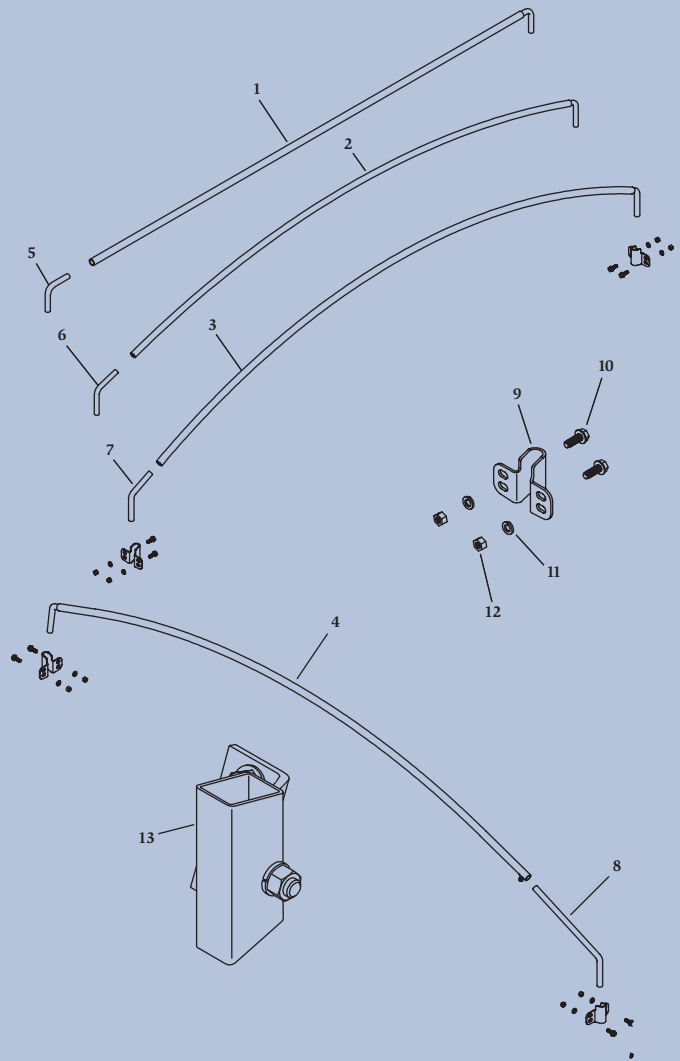
ITEM	PART #	DESCRIPTION
	1120308	X-Wide Bow Kit* - Flat - 113" to 122" [Includes 6; 7; 2 of 2 & 5; 4 of 1, 3 & 4]
	1120309	X-Wide Bow Kit* - Flat - 123" to 132" [Includes 6; 7; 2 of 2 & 5; 4 of 1, 3 & 4]
	1120310	X-Wide Bow Kit* - Flat - 133" to 142" [Includes 6; 7; 2 of 2 & 5; 4 of 1, 3 & 4]
	1120311	X-Wide Bow Kit* - Flat - 143" to 152" [Includes 6; 7; 2 of 2 & 5; 4 of 1, 3 & 4]
	1120312	X-Wide Bow Kit* - Flat - 153" to 162" [Includes 6; 7; 2 of 2 & 5; 4 of 1, 3 & 4]
	1120362	Bow Mounting Fasteners Kit - X-Wide Flat [Includes 2 of 5; 4 of 1, 3 & 4]
1	1703964	Truss Head Machine Screw - 3/8" x 1-1/4"
2	1117665	Horizontal Bow Bracket
3	1700434	Lock Washer - 3/8"
4	1700407	Hex Nut - 3/8"
5	1701577	Humpback Cotter Pin - 3/16" x 1-1/4"
6	1117683	X-Wide Bow Shank - Flat
7	1120303	X-Wide Bow* - Flat - 113" to 122"
	1120304	X-Wide Bow* - Flat - 123" to 132"
	1120305	X-Wide Bow* - Flat - 133" to 142"
	1120306	X-Wide Bow* - Flat - 143" to 152"
	1120307	X-Wide Bow* - Flat - 153" to 162"

*Measurement on bows denotes inside cart width.

NOTE: All components other than standard may require non-refundable engineering/manufacturing fees. Call for details.

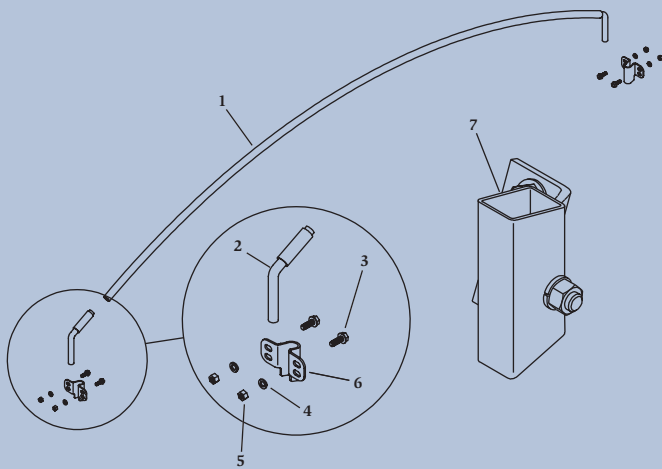
BOWS - GALVANIZED STEEL

ITEM	PART #	DESCRIPTION
	1111781	Galvanized Bow Kit - Flat - 89" to 102" [Includes 1; 5; 2 of 9; 4 of 10, 11 & 12]
	1117915	Galvanized Bow Kit* - Low Rise - 78" to 84" [Includes 2; 6; 2 of 9; 4 of 10, 11 & 12]
	1117916	Galvanized Bow Kit* - Low Rise - 85" to 92" [Includes 2; 6; 2 of 9; 4 of 10, 11 & 12]
	1100766	Galvanized Bow Kit* - Low Rise - 93" to 102" [Includes 2; 6; 2 of 9; 4 of 10, 11 & 12]
	1117917	Galvanized Bow Kit* - High Rise - 89" to 95" [Includes 3; 7; 2 of 9; 4 of 10, 11 & 12]
	1100768	Galvanized Bow Kit* - High Rise - 96" to 102" [Includes 3; 7; 2 of 9; 4 of 10, 11 & 12]
	1122754	Adjustable Galvanized Bow Kit* - Low Rise - 84" to 92" [Includes 4; 8; 2 of 9; 4 of 10, 11 & 12]
	1122756	Adjustable Galvanized Bow Kit* - Low Rise - 93" to 101" [Includes 4; 8; 2 of 9; 4 of 10, 11 & 12]
	1122755	Adjustable Galvanized Bow Kit* - High Rise - 84" to 92" [Includes 4; 8; 2 of 9; 4 of 10, 11 & 12]
	1122758	Adjustable Galvanized Bow Kit* - High Rise - 93" to 101" [Includes 4; 8; 2 of 9; 4 of 10, 11 & 12]
	1122724	Adjustable Galvanized Bow Kit - 10" Rise - 84" to 92" [Includes 4; 8; 2 of 9; 4 of 10, 11 & 12]
	1122757	Adjustable Galvanized Bow Kit - 10" Rise - 93" to 101" [Includes 4; 8; 2 of 9; 4 of 10, 11 & 12]
	1123932	Adjustable Galvanized Bow w/Shank* - Low Rise - 84" to 92" [Includes 4; 8]
	1123934	Adjustable Galvanized Bow w/Shank* - Low Rise - 93" to 101" [Includes 4; 8]
	1123933	Adjustable Galvanized Bow w/Shank* - High Rise - 84" to 92" [Includes 4; 8]
	1123935	Adjustable Galvanized Bow w/Shank* - High Rise - 93" to 101" [Includes 4; 8]
	1122719	Adjustable Galvanized Bow w/Shank - 10" Rise - 84" to 92" [Includes 4; 8]
	1122825	Adjustable Galvanized Bow w/Shank - 10" Rise - 93" to 101" [Includes 4; 8]
	1111782	Bow Mounting Hardware Kit - Flat [Includes 5; 2 of 9; 4 of 10, 11 & 12]
	1101608	Bow Mounting Hardware Kit* - Low Rise [Includes 6; 2 of 9; 4 of 10, 11 & 12]
	1106968	Bow Mounting Hardware Kit* - High Rise [Includes 7; 2 of 9; 4 of 10, 11 & 12]
	1123871	Adjustable Bow Mounting Hardware Kit* - Low Rise [Includes 8; 2 of 9; 4 of 10, 11 & 12]
	1123872	Adjustable Bow Mounting Hardware Kit* - High Rise [Includes 8; 2 of 9; 4 of 10, 11 & 12]
	1107711	Bow Mounting Fasteners - Galvanized [Includes 4 of 10, 11 & 12]
1	1109149	Galvanized Bow - Flat - 89" to 102"
2	1117904	Galvanized Bow* - Low Rise - 78" to 84"
	1116120	Galvanized Bow* - Low Rise - 85" to 92"
	1100760	Galvanized Bow* - Low Rise - 93" to 102"
3	1117905	Galvanized Bow* - High Rise - 89" to 95"
	1100762	Galvanized Bow* - High Rise - 96" to 102"
4	1122759	Adjustable Galvanized Bow* - Low Rise - 84" to 92"
	1122818	Adjustable Galvanized Bow* - Low Rise - 93" to 101"
	1122817	Adjustable Galvanized Bow* - High Rise - 84" to 92"
	1122820	Adjustable Galvanized Bow* - High Rise - 93" to 101"
	1122627	Adjustable Galvanized Bow - 10" Rise - 84" to 92"
	1122819	Adjustable Galvanized Bow - 10" Rise - 93" to 101"
5	1109150	Galvanized Bow Shank - Flat
6	1100695	Galvanized Bow Shank* - Low Rise
7	1106925	Galvanized Bow Shank* - High Rise
8	1122821	Galvanized Bow Long Shank* - Low Rise
	1122822	Galvanized Bow Long Shank* - High Rise
	1122626	Galvanized Bow Long Shank - 10" Rise
9	1120836	Single Bow Bracket
10	1700400	Self-Tapping Screw - 3/8" x 1"
11	1700434	Lock Washer - 3/8"
12	1700407	Hex Nut - 3/8"
13	1117946	Adjustable Bow Bracket Kit



*Low-rise caps have a 6" rise; high-rise caps have a 10" rise. Low-rise bows have an 8" rise; high-rise bows have a 12" rise.

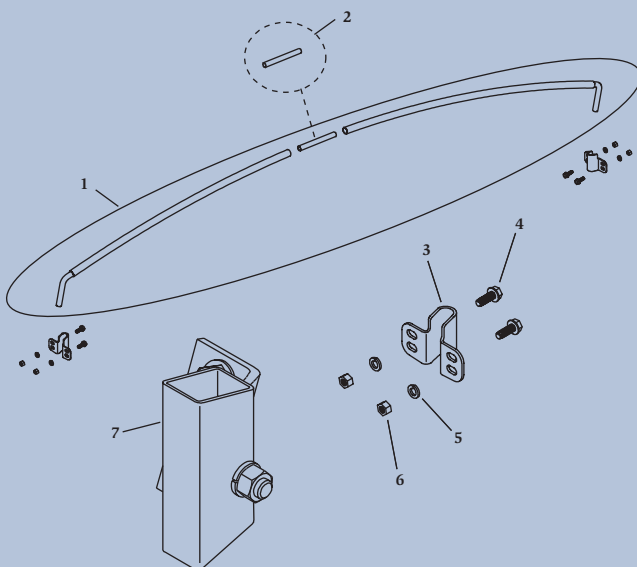
NOTE: All components other than standard may require non-refundable engineering/manufacturing fees. Call for details.



BOWS – GALVANIZED STEEL X-WIDE - 1 PC.

ITEM	PART #	DESCRIPTION
	1119465	X-Wide Bow Kit* - High Rise - 99" to 104" [Includes 1; 3; 2 of 8; 4 of 4, 5 & 6]
	1119466	X-Wide Bow Kit* - High Rise - 104-1/2" to 109-1/2" [Includes 1; 3; 2 of 8; 4 of 4, 5 & 6]
	1119464	X-Wide Bow Kit* - High Rise - 109" [Includes 1; 3; 2 of 8; 4 of 4, 5 & 6]
	1119467	X-Wide Bow Kit* - High Rise - 110" to 115" [Includes 1; 3; 2 of 8; 4 of 4, 5 & 6]
	1119468	X-Wide Bow Kit* - High Rise - 115-1/2" to 121" [Includes 1; 3; 2 of 8; 4 of 4, 5 & 6]
	1119469	X-Wide Bow Kit* - High Rise - 121-1/2" to 127" [Includes 1; 3; 2 of 8; 4 of 4, 5 & 6]
	1119470	X-Wide Bow Kit* - High Rise - 127-1/2" to 134" [Includes 1; 3; 2 of 8; 4 of 4, 5 & 6]
	1119471	X-Wide Bow Kit* - High Rise - 134-1/2" to 141" [Includes 1; 3; 2 of 8; 4 of 4, 5 & 6]
	1107711	Bow Mounting Fasteners Kit - Galvanized [Includes 4 of 4, 5 & 6]
1	1119227	Galvanized Bow* - High Rise - 99" to 104"
	1119220	Galvanized Bow* - High Rise - 104-1/2" to 109-1/2"
	1118724	Galvanized Bow* - High Rise - 109"
	1119219	Galvanized Bow* - High Rise - 110" to 115"
	1119218	Galvanized Bow* - High Rise - 115-1/2" to 121"
	1119217	Galvanized Bow* - High Rise - 121-1/2" to 127"
	1119216	Galvanized Bow* - High Rise - 127-1/2" to 134"
	1119215	Galvanized Bow* - High Rise - 134-1/2" to 141"
2	1119233	X-Wide Bow Shank* - High Rise - 99" to 109-1/2"
	1119232	X-Wide Bow Shank* - High Rise - 110" to 127"
	1119231	X-Wide Bow Shank* - High Rise - 127-1/2" to 141"
3	1700400	Self-Tapping Screw - 3/8" x 1"
4	1700434	Lock Washer - 3/8"
5	1700407	Nut - 3/8"
6	1120836	Single Bow Bracket
7	1117946	Adjustable Bow Bracket

*High-rise bows have a 12" rise.



BOWS – GALVANIZED STEEL X-WIDE - 2 PC.

ITEM	PART #	DESCRIPTION
	1106943	Galv. X-Wide Bow Kit* - Low Rise - 103" to 168" [Includes 1; 2 of 3; 4 of 4, 5 & 6]
	1106941	Galv. X-Wide Bow Kit* - High Rise - 103" to 168" [Includes 1; 2 of 3; 4 of 4, 5 & 6]
	1106942	Galvanized Bow Mounting Hardware* - X-Wide [Includes 2; 2 of 3; 4 of 4, 5 & 6]
	1107711	Galvanized Bow Mounting Fastener Kit [Includes 4 of 4, 5 & 6]
1	1116118**	Galv. X-Wide Bow* - Low Rise - 103" to 168"
	1116119**	Galv. X-Wide Bow* - High Rise - 103" to 168"
2	1100685	Galvanized X-Wide Bow Connector Tube
3	1120836	Single Bow Bracket
4	1700400	Self-Tapping Screw - 3/8" x 1"
5	1700434	Lock Washer - 3/8"
6	1700407	Hex Nut - 3/8"
7	1117946	Adjustable Bow Bracket Kit

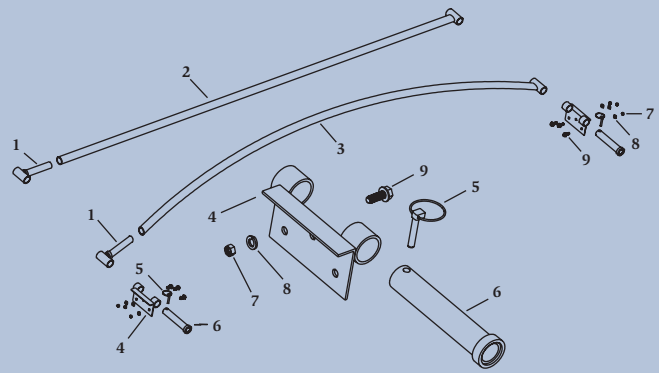
*Low-rise bows have an 8" rise; high-rise bows have a 12" rise.

**Includes bow halves and connector tube.

NOTE: All components other than standard may require non-refundable engineering/manufacturing fees. Call for details.

BOWS – HEAVY DUTY

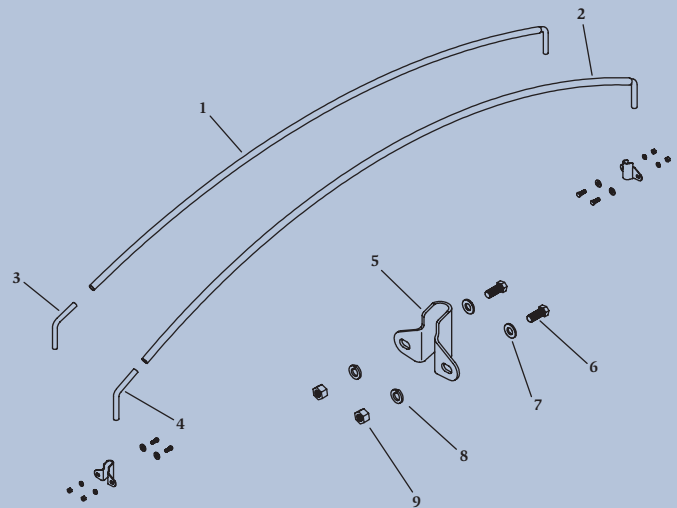
ITEM	PART #	DESCRIPTION
	1112667	Heavy-Duty Bow Kit - Flat [Includes 1; 2 of 4, 5 & 6; 6 of 7, 8 & 9]
	1106615	Heavy-Duty Bow Kit* - Low Rise [Includes 1; 3; 2 of 4, 5 & 6; 6 of 7, 8 & 9]
	1102697	Heavy-Duty Bow Kit* - High Rise [Includes 1; 3; 2 of 4, 5 & 6; 6 of 7, 8 & 9]
	1107245	Bow Mounting Hardware Kit - Heavy Duty [Includes 1; 2 of 4, 5 & 6; 6 of 7, 8 & 9]
	1107244	Bow Mounting Fasteners - Heavy Duty [Includes 2 of 5; 6 of 7, 8 & 9]
1	1104706	Heavy-Duty Bow Shank
2	1112669	Heavy-Duty Bow - Flat
3	1106612	Heavy-Duty Bow* - Low Rise
	1101927	Heavy-Duty Bow* - High Rise
4	1106614	Heavy-Duty Bow Bracket
5	1701098	Lynch Pin - 5/16" x 1-3/4"
6	1104123	Heavy-Duty Bow Pin
7	1700407	Hex Nut - 3/8"
8	1700434	Lock Washer - 3/8"
9	1700400	Self-Tapping Screw - 3/8" x 1"



*Low-rise bows have an 8" rise; high-rise bows have a 12" rise.

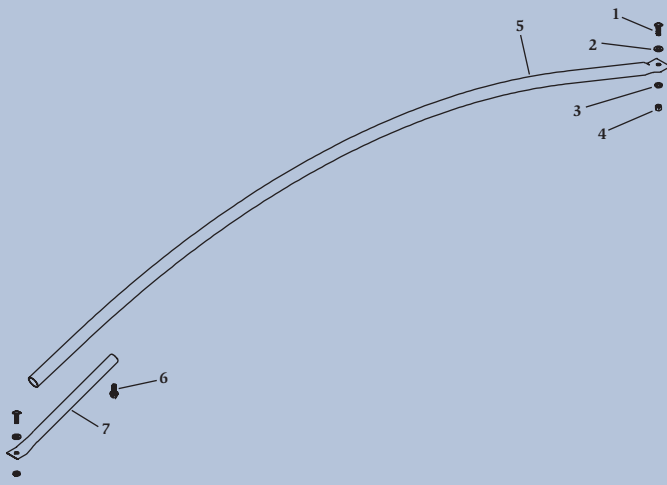
BOWS - STAINLESS STEEL STANDARD

ITEM	PART #	DESCRIPTION
	1120351	Stainless Bow Kit* - Low Rise - 78" to 84" [Includes 1; 3; 2 of 5; 4 of 6, 7, 8 & 9]
	1120352	Stainless Bow Kit* - Low Rise - 85" to 92" [Includes 1; 3; 2 of 5; 4 of 6, 7, 8 & 9]
	1120353	Stainless Bow Kit* - Low Rise - 93" to 102" [Includes 1; 3; 2 of 5; 4 of 6, 7, 8 & 9]
	1120354	Stainless Bow Kit* - High Rise - 82" to 88" [Includes 2; 4; 2 of 5; 4 of 10, 11 & 12]
	1120355	Stainless Bow Kit* - High Rise - 89" to 95" [Includes 2; 4; 2 of 5; 4 of 6, 7, 8 & 9]
	1120356	Stainless Bow Kit* - High Rise - 96" to 102" [Includes 2; 4; 2 of 5; 4 of 6, 7, 8 & 9]
	1116275	Stainless Bow Mounting Fasteners (4)
1	1120286	Stainless Bow* - Low Rise - 78" to 84"
	1120287	Stainless Bow* - Low Rise - 85" to 92"
	1119765	Stainless Bow* - Low Rise - 93" to 102"
2	1120288	Stainless Bow* - High Rise - 82" to 88"
	1120289	Stainless Bow* - High Rise - 89" to 95"
	1120290	Stainless Bow* - High Rise - 96" to 102"
3	1119766	Stainless Bow Shank* - Low Rise
4	1116754	Stainless Bow Shank* - High Rise
5	1120975	Stainless Single Bow Bracket
6	1703579	Stainless Hex Head Cap Screw - 3/8" x 1"
7	1703576	Stainless Lock Washer - 3/8"
8	1703577	Stainless Flat Washer - 3/8"
9	1200999	Stainless Hex Nut - 3/8"



*Low-rise bows have an 8" rise; high-rise bows have a 12" rise.

NOTE: All components other than standard may require non-refundable engineering/manufacturing fees. Call for details.



BOWS - STAINLESS STEEL TOP MOUNT

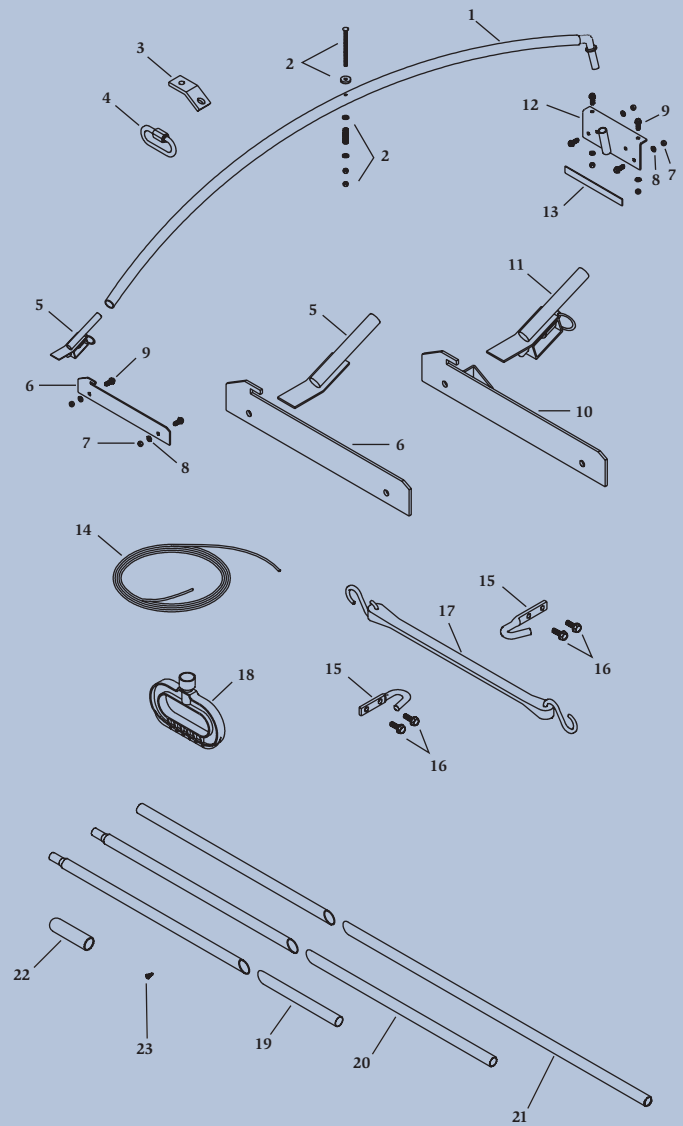
ITEM	PART #	DESCRIPTION
	1119414	Stainless Bow Kit - Low Rise* - 84" to 87-1/2" [Includes 5; 6; 7; 2 of 1, 2, 3 & 4]
	1119415	Stainless Bow Kit - Low Rise* - 88" to 91-1/2" [Includes 5; 6; 7; 2 of 1, 2, 3 & 4]
	1119416	Stainless Bow Kit - Low Rise* - 92" to 95-1/2" [Includes 5; 6; 7; 2 of 1, 2, 3 & 4]
	1119417	Stainless Bow Kit - Low Rise* - 96" to 99-1/2" [Includes 5; 6; 7; 2 of 1, 2, 3 & 4]
	1119418	Stainless Bow Kit - Low Rise* - 100" to 103-1/2" [Includes 5; 6; 7; 2 of 1, 2, 3 & 4]
	1119419	Stainless Bow Kit - Low Rise* - 104" to 107-1/2" [Includes 5; 6; 7; 2 of 1, 2, 3 & 4]
	1119420	Stainless Bow Kit - Low Rise* - 108" to 111-1/2" [Includes 5; 6; 7; 2 of 1, 2, 3 & 4]
	1119421	Stainless Bow Kit - Low Rise* - 112" to 115-1/2" [Includes 5; 6; 7; 2 of 1, 2, 3 & 4]
	1119422	Stainless Bow Kit - Low Rise* - 120" to 123-1/2" [Includes 5; 6; 7; 2 of 1, 2, 3 & 4]
	1119405	Stainless Bow Kit - High Rise* - 84" to 87-1/2" [Includes 5; 6; 7; 2 of 1, 2, 3 & 4]
	1119406	Stainless Bow Kit - High Rise* - 88" to 91-1/2" [Includes 5; 6; 7; 2 of 1, 2, 3 & 4]
	1119407	Stainless Bow Kit - High Rise* - 92" to 95-1/2" [Includes 5; 6; 7; 2 of 1, 2, 3 & 4]
	1119408	Stainless Bow Kit - High Rise* - 96" to 99-1/2" [Includes 5; 6; 7; 2 of 1, 2, 3 & 4]
	1119409	Stainless Bow Kit - High Rise* - 100" to 103-1/2" [Includes 5; 6; 7; 2 of 1, 2, 3 & 4]
	1119410	Stainless Bow Kit - High Rise* - 104" to 107-1/2" [Includes 5; 6; 7; 2 of 1, 2, 3 & 4]
	1119411	Stainless Bow Kit - High Rise* - 108" to 111-1/2" [Includes 5; 6; 7; 2 of 1, 2, 3 & 4]
	1119412	Stainless Bow Kit - High Rise* - 112" to 115-1/2" [Includes 5; 6; 7; 2 of 1, 2, 3 & 4]
	1119413	Stainless Bow Kit - High Rise* - 120" to 123-1/2" [Includes 5; 6; 7; 2 of 1, 2, 3 & 4]
	1118626	Bow Mounting Fastener Kit - Stainless Top Mount [Includes 6; 2 of 1, 2, 3 & 4]
1	1704442	Stainless Screw - 3/8" x 1"
2	1703577	Stainless Flat Washer - 3/8"
3	1703576	Stainless Lock Washer - 3/8"
4	1200999	Stainless Hex Nut - 3/8"
5	1119184	Stainless Bow - Low Rise* - 84" to 87-1/2"
	1119248	Stainless Bow - Low Rise* - 88" to 91-1/2"
	1119250	Stainless Bow - Low Rise* - 92" to 95-1/2"
	1119182	Stainless Bow - Low Rise* - 96" to 99-1/2"
	1119246	Stainless Bow - Low Rise* - 100" to 103-1/2"
	1119190	Stainless Bow - Low Rise* - 104" to 107-1/2"
	1119192	Stainless Bow - Low Rise* - 108" to 111-1/2"
	1119194	Stainless Bow - Low Rise* - 112" to 115-1/2"
	1119196	Stainless Bow - Low Rise* - 120" to 123-1/2"
	1119185	Stainless Bow - High Rise* - 84" to 87-1/2"
	1119249	Stainless Bow - High Rise* - 88" to 91-1/2"
	1119251	Stainless Bow - High Rise* - 92" to 95-1/2"
	1119183	Stainless Bow - High Rise* - 96" to 99-1/2"
	1119247	Stainless Bow - High Rise* - 100" to 103-1/2"
	1119191	Stainless Bow - High Rise* - 104" to 107-1/2"
	1119193	Stainless Bow - High Rise* - 108" to 111-1/2"
	1119195	Stainless Bow - High Rise* - 112" to 115-1/2"
	1119197	Stainless Bow - High Rise* - 120" to 123-1/2"
6	1700400	Self-Tapping Screw - 3/8" x 1"
7	1118624	Stainless Bow Extension

*Low-rise caps have a 6" rise; high-rise caps have a 10" rise. Low-rise bows have an 8" rise; high-rise bows have a 12" rise.

NOTE: All components other than standard may require non-refundable engineering/manufacturing fees. Call for details.

BOWS – TURNING POINT™ w/RIDGEPOLES

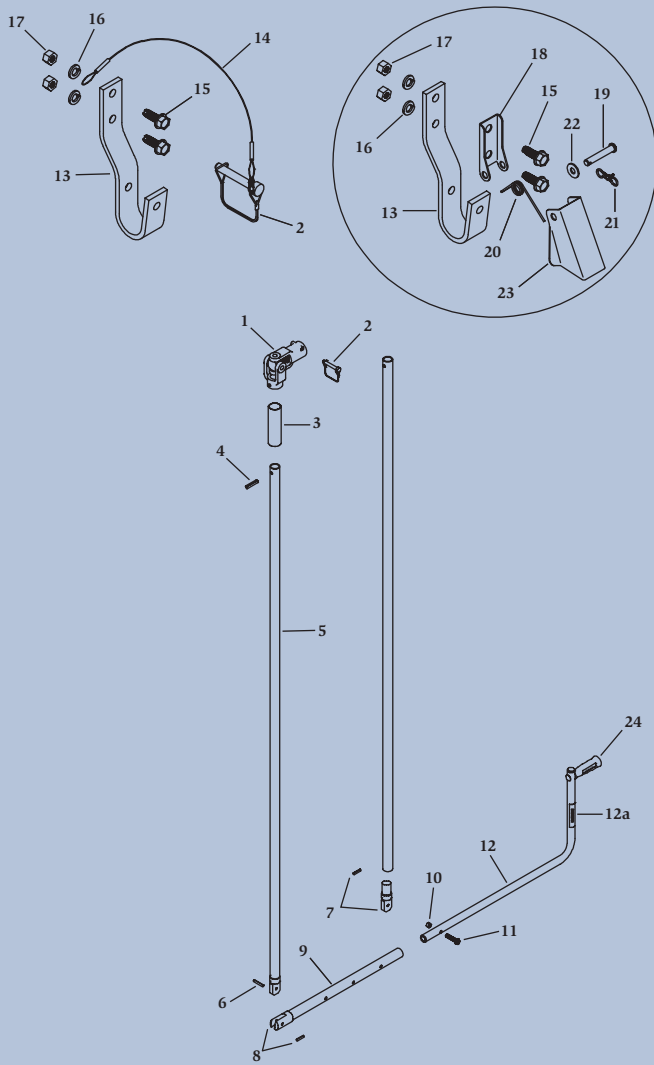
ITEM	PART #	DESCRIPTION
	10' - 16'	TPB Kit w/16' Ridgepole** - Low Rise or High Rise 3 Bows [Includes 3; 4; 10; 11; 14; 17; 18; 19; 2 of 5, 6, 15, 22 & 23; 3 of 1, 2 & 12; 4 of 16; 9 of 13; 18 of 7, 8 & 9]
	17' - 18'	TPB Kit w/20' Ridgepole** - Low Rise or High Rise 3 Bows [Includes 3; 4; 10; 11; 14; 17; 18; 20; 2 of 5, 6, 15, 22 & 23; 3 of 1, 2 & 12; 4 of 16; 9 of 13; 18 of 7, 8 & 9]
	19' - 24'	TPB Kit w/24' Ridgepole** - Low Rise or High Rise 4 Bows [Includes 3; 4; 10; 11; 14; 17; 18; 21; 2 of 15, 22 & 23; 3 of 5 & 6; 4 of 1, 2, 12 & 16; 12 of 13; 24 of 7, 8 & 9]
	25' - 26'	TPB Kit w/32' Ridgepole** - Low Rise or High Rise 4 Bows [Includes 3; 4; 10; 11; 14; 17; 18; 2 of 15, 19, 22 & 23; 3 of 5 & 6; 4 of 1, 2, 12 & 16; 12 of 13; 24 of 7, 8 & 9]
	27' - 32'	TPB Kit w/32' Ridgepole** - Low Rise or High Rise 5 Bows [Includes 3; 4; 10; 11; 14; 17; 18; 2 of 15, 19, 22 & 23; 4 of 5, 6 & 16; 5 of 1, 2 & 12; 15 of 13; 30 of 7, 8 & 9]
	33' - 34'	TPB Kit w/36' Ridgepole** - Low Rise or High Rise 5 Bows [Includes 3; 4; 10; 11; 14; 17; 18; 19; 20; 2 of 15, 22 & 23; 3 of 5, 6 & 16; 5 of 1, 2 & 12; 15 of 13; 30 of 7, 8 & 9]
	35' - 40'	TPB Kit w/40' Ridgepole** - Low Rise or High Rise 6 Bows [Includes 3; 4; 10; 11; 14; 17; 18; 2 of 15, 20, 22 & 23; 4 of 16; 5 of 5 & 6; 6 of 1, 2 & 12; 18 of 13; 36 of 7, 8 & 9]
	41' - 43'	TPB Kit w/44' Ridgepole** - Low Rise or High Rise 6 Bows [Includes 3; 4; 10; 11; 14; 17; 18; 20; 21; 2 of 15, 22 & 23; 4 of 16; 5 of 5 & 6; 6 of 1, 2 & 12; 18 of 13; 36 of 7, 8 & 9]
	44' - 48'	TPB Kit w/48' Ridgepole** - Low Rise or High Rise 7 Bows [Includes 3; 4; 10; 11; 14; 17; 18; 2 of 15, 21, 22 & 23; 4 of 16; 6 of 5 & 6; 7 of 1, 2 & 12; 21 of 13; 42 of 7, 8 & 9]
ITEM	PART #	DESCRIPTION
	1195310	Rollaway Ridgepole Hardware [Includes 2 of 22 & 23]
	1105339	Pull Rope Assembly [Includes 3; 4; 14; 17; 18; 2 of 15; 4 of 16]
	1107012	Bow Mounting Hardware [Includes 12; 3 of 13]
1	1105337	Turning Point™ Bow** - Low Rise
	1105331	Turning Point™ Bow** - High Rise
2	1110368	Bow Attachment Spring Assembly
3	1105325	Pull Rope Anchor
4	1701219	Quick Link - 5/16"
5	1105333	Bow Rest** - Low Rise
	1105327	Bow Rest** - High Rise
6	1105314	Bow Stop
7	1700407	Hex Nut - 3/8"
8	1700434	Lock Washer - 3/8"
9	1700400	Self-Tapping Screw - 3/8" x 1"
10	1105320	Turning Point™ Bow Stop w/Catch
11	1105338	Bow Rest/Latch** - Low Rise
	1105322	Bow Rest/Latch** - High Rise
12	1105317	Bow Pivot Bracket
13	1107006	Pivot Bracket Spacer
14	1100469	Rope - 32'
15	1700682	Box Hook - 5/16" Holes
16	1700403	Self-Tapping Screw - 1/4" x 3/4"
17	1700649	Rubber Strap - 15"
18	1106929	Pull Handle
19	1701204	Ridgepole Tube - 16'
20	1701205	Ridgepole Tube - 20'
21	1701206	Ridgepole Tube - 24'
22	1700212	Protective Cap
23	1104768	Self-Drilling Screw - 1/4" x 3/4"



*Order Turning Point™ Bow Kits by size of trailer, specifying low rise or high rise.

**Low-rise bows have an 8" rise; high-rise bows have a 12" rise.

NOTE: All components other than standard may require non-refundable engineering/manufacturing fees. Call for details.



CRANK ARMS – SHUR-FLEX™

ITEM	PART #	DESCRIPTION
	1101931	Shur-Flex™ Crank Arm Kit - 40" Extension [Includes 1; 2; 3; 4; 5; 6; 9; 10; 11; 12]
	1107918	Shur-Flex™ Crank Arm Kit - 54" Extension [Includes 1; 2; 3; 4; 5; 6; 9; 10; 11; 12]
	1102782	Shur-Flex™ Crank Arm Kit - 80" Extension [Includes 1; 2; 3; 4; 5; 6; 9; 10; 11; 12]
	1105176	Shur-Flex™ Crank Arm Kit - 96" Extension [Includes 1; 2; 3; 4; 5; 6; 9; 10; 11; 12]
	1101933	Shur-Flex™ Conversion Kit - 40" w/Offset Retainers [Includes 3; 4; 5; 6; 9; 10; 11; 4 of 13 & 14; 5 of 2; 8 of 15, 16 & 17]
	1116243	Shur-Flex™ Conversion Kit - 54" w/Offset Retainers [Includes 3; 4; 5; 6; 10; 11; 4 of 13 & 14; 5 of 2; 8 of 15, 16 & 17]
	1115376	Shur-Flex™ Conversion Kit - 40" w/Offset Pinless Retainers [Includes 2; 3; 4; 5; 6; 9; 10; 11; 4 of 13, 18, 19, 20, 21, 22 & 23; 8 of 15, 16 & 17]
	1116242	Shur-Flex™ Conversion Kit - 54" w/Offset Pinless Retainers [Includes 2; 3; 4; 5; 6; 9; 10; 11; 4 of 13, 18, 19, 20, 21, 22 & 23; 8 of 15, 16 & 17]
	1101932	Shur-Flex™ Crank Extension Hardware Kit - 40" [Includes 3; 5; 6; 9]
	1105048	Shur-Flex™ Crank Extension Hardware Kit - 54" [Includes 3; 5; 6; 9]
	1117752	Shur-Flex™ Crank Extension Hardware Kit - 80" [Includes 3; 5; 6; 9]
	1105047	Shur-Flex™ Crank Extension Hardware Kit - 96" [Includes 3; 5; 6; 9]
	1105305	Crank Hardware Kit [Includes 2; 4; 10; 11]
1	1701243	Splined U-Joint
2	1700526	Wire Lock Pin - 3/8" x 2-1/2"
3	1101924	Lock Tube - 5-1/2"
4	1700443	Spring Pin - 3/8" x 2"
5	1105001	Shur-Flex™ Upper Crank Extension - 40"
	1105050	Shur-Flex™ Upper Crank Extension - 54"
	1117753	Shur-Flex™ Upper Crank Extension - 80"
	1105049	Shur-Flex™ Upper Crank Extension - 96"
6	1701118	Spring Pin - 1/4" x 1-3/16"
7	1122522	Male Knuckle w/Pin
8	1122523	Female Knuckle w/Pin
9	1102691	Lower Extension - 20"
10	1700418	Centerlock Hex Nut - 3/8"
11	1700369	Hex Head Cap Screw - 3/8" x 1-3/4"
12	1100171	Standard Crank Arm - 24"
12a	1100362	Operating Decal
13	1101930	Offset J-Hook Crank Retainer
14	1100574	Cable w/#5 Interlock Snap
15	1700400	Self-Tapping Screw - 3/8" x 1"
16	1700434	Lock Washer - 3/8"
17	1700407	Hex Nut - 3/8"
18	1114599	Offset Pinless Crank Retainer Base Plate
19	1703133	Clevis Pin - 5/16" x 1-3/4"
20	1703134	Tension Spring
21	1704380	Bowtie Cotter Pin - 1-3/8"
22	1700427	Flat Washer - 1/4"
23	1114600	Offset Pinless Crank Retainer Lock
24	1116110	Crank Handle Kit (Handle - Washer - Nut)

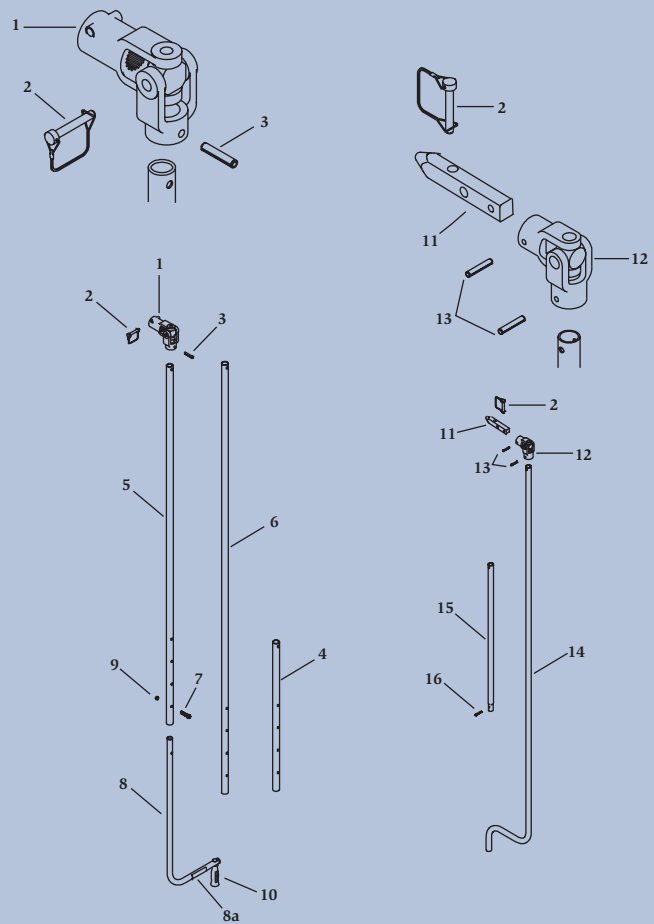
NOTE: All components other than standard may require non-refundable engineering/manufacturing fees. Call for details.

CRANK ARMS – STANDARD

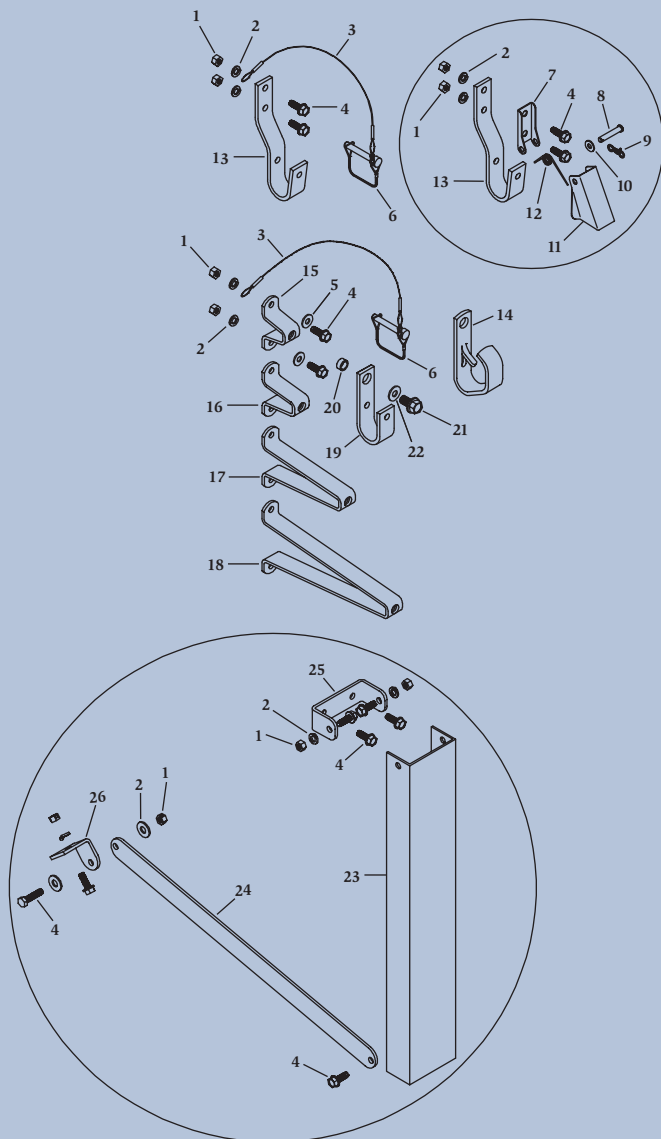
ITEM	PART #	DESCRIPTION
For SHUR-LOK® ROLL TARPS		
	1100812	Standard Crank Arm Kit - 33" Extension [Includes 1; 2; 3; 4; 7; 8; 9]
	1100816	Standard Crank Arm Kit - 80" Extension [Includes 1; 2; 3; 5; 7; 8; 9]
	1122845	Standard Crank Arm Kit - 96" Extension [Includes 1; 2; 3; 6; 7; 8; 9]
	1100813	Long Crank Arm Kit - 80" Extension [Includes 1; 2; 3; 5; 7; 8 (long); 9]
	1105305	Crank Hardware [Includes 2; 3; 7; 9]
1	1701243	Splined U-Joint
2	1700526	Wire Lock Pin - 3/8" x 2-1/2"
3	1700443	Spring Pin - 3/8" x 2"
4	1100687	Crank Extension - 33"
5	1100028	Crank Extension - 80"
6	1106449	Crank Extension - 96"
7	1700369	Hex Head Cap Screw - 3/8" x 1-3/4"
8	1100171	Standard Crank Arm - 24"
	1100069	Long Crank Arm - 60"
8a	1100362	Operating Decal
9	1700418	Centerlock Hex Nut - 3/8"
10	1116110	Crank Handle Kit (Handle - Washer - Nut)
For BELT 'N RATCHET ROLL TARPS		
	1100061	Standard Belt 'n Ratchet Crank Arm Kit* [Includes 11; 12; 14; 16; 2 of 13]
	1101500	Long Belt 'n Ratchet Crank Arm Kit* [Includes 11; 12; 14; 15; 16; 2 of 13]
11	1115774	Pilot Crank Key
12	1700527	Econo U-Joint
13	1700445	Spring Pin - 1/4" x 1-1/2"
14	1100461	Offset Crank Arm
15	1107838	Square Crank Extension - 33"
16	1701118	Spring Pin - 1/4" x 1-3/16"

*Leave-on crank option requires a wire lock pin [2], sold separately.

NOTE: All components other than standard may require non-refundable engineering/manufacturing fees. Call for details.



CRANK RETAINERS



ITEM	PART #	DESCRIPTION
	1100388	Crank Retainer Kit w/2" Standoff [Includes 3; 6; 15; 19; 20; 21; 2 of 1, 2 & 4]
	1118649	Crank Retainer Kit w/3" Standoff [Includes 3; 6; 16; 19; 20; 21; 2 of 1, 2 & 4]
	1100386	Crank Retainer Kit w/7" Standoff [Includes 3; 6; 17; 19; 20; 21; 2 of 1, 2 & 4]
	1120633	Crank Retainer Kit w/11" Standoff [Includes 3; 6; 18; 19; 20; 21; 2 of 1, 2 & 4]
	1107048	Pinless Crank Retainer Kit w/2" Standoff [Includes 14; 15; 20; 21; 2 of 1, 2 & 4]
	1109115	Pinless Crank Retainer Kit w/3" Standoff [Includes 14; 16; 20; 21; 2 of 1, 2 & 4]
	1107047	Pinless Crank Retainer Kit w/7" Standoff [Includes 14; 17; 20; 21; 2 of 1, 2 & 4]
	1109479	Pinless Crank Retainer Kit w/11" Standoff [Includes 14; 18; 20; 21; 2 of 1, 2 & 4]
	1115515	Stainless Pinless Crank Retainer Kit w/7" Standoff [Includes 14; 17; 20; 21; 22; 2 of 1, 2, 4 & 5]
	1115516	Stainless Pinless Crank Retainer Kit w/11" Standoff [Includes 14; 18; 20; 21; 22; 2 of 1, 2, 4 & 5]
	1107052	Pinless Crank Retainer Kit [Includes 14; 20; 21]
	1101929	Offset Crank Retainer Kit [Includes 3; 6; 13; 2 of 1, 2 & 4]
	1114603	Offset Pinless Crank Retainer Kit [Includes 7; 8; 9; 10; 11; 12; 13; 2 of 1, 2 & 4]
	1114602	Offset Pinless Crank Retainer Conversion Kit [Includes 7; 8; 9; 10; 11; 12; 2 of 1, 2 & 4]
	1116553	Universal Crank Retainer Support Kit* - 24" [Includes 23; 24; 25; 26; 7 of 1, 2 & 4]
	1120190	Universal Crank Retainer Support Kit* - 33" [Includes 23; 24; 25; 26; 7 of 1, 2 & 4]
	1117438	Universal Crank Retainer Support Kit* - 42" [Includes 23; 24; 25; 26; 7 of 1, 2 & 4]
	1107061	Crank Retainer Hardware Kit [Includes 3; 6; 20; 21; 2 of 1, 2 & 4]
	1107063	Pinless Crank Retainer Hardware Kit [Includes 20; 21; 2 of 1, 2 & 4]
	1116167	Stainless Pinless Crank Retainer Hardware Kit [Includes 20; 21; 2 of 1, 2, 4 & 22]
	1107062	Offset Crank Retainer Hardware Kit [Includes 3; 6; 2 of 1, 2 & 4]
1	1700407	Hex Nut - 3/8"
	1200999	Stainless Hex Nut - 3/8"
2	1700434	Lock Washer - 3/8"
	1703576	Stainless Lock Washer - 3/8"
3	1100574	Cable w/#5 Interlock Snap
4	1700400	Self-Tapping Screw - 3/8" x 1"
	1703579	Stainless Hex Head Cap Screw - 3/8" x 1"
5	1703577	Stainless Flat Washer - 3/8"
6	1700526	Wire Lock Pin - 3/8" x 2-1/2"
7	1114599	Offset Pinless Crank Retainer Base Plate
8	1703133	Clevis Pin - 5/16" x 1-3/4"
9	1704380	Bowtie Cotter Pin - 1-3/8"
10	1700427	Flat Washer - 1/4"
11	1114600	Offset Pinless Crank Retainer Lock
12	1703134	Tension Spring
13	1101930	Offset J-Hook Crank Retainer
14	1107049	Pinless Crank Retainer
	1115514	Stainless Pinless Crank Retainer
15	1100137	Crank Retainer Standoff - 2"
16	1107080	Crank Retainer Standoff - 3"
17	1100033	Crank Retainer Standoff - 7"
	1115511	Stainless Crank Retainer Standoff - 7"
18	1109478	Crank Retainer Standoff - 11"
	1115513	Stainless Crank Retainer Standoff - 11"
19	1100040	J-Hook Crank Retainer
20	1100306	Retainer Bushing - 11/16"
21	1702996	Flanged Cap Screw - 1/2" x 1-1/4"
	1703619	Stainless Hex Head Cap Screw - 1/2" x 1-1/4"
22	1703620	Stainless Flat Washer - 1/2"
23	1116555	Crank Support Bracket - 24"
	1120191	Crank Support Bracket - 33"
	1117437	Crank Support Bracket - 42"
24	1116557	Swivel Support Brace
25	1116554	Crank Support Base Plate
26	1116556	Base Plate Swivel

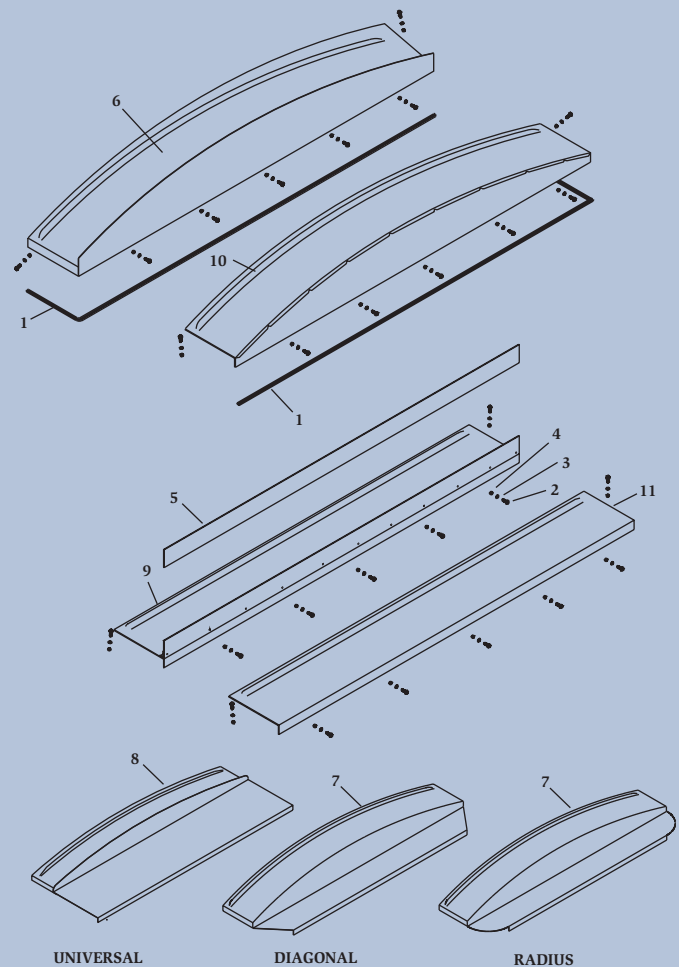
*For use on some grain carts – universal crank retainer support kit does NOT include crank retainer assembly.

END CAPS – ALUMINUM

ITEM	PART #	DESCRIPTION
MOUNTING HARDWARE		
	1107785	Cap Mounting Hardware w/Trim Seal - 110" [Includes 1; 7 of 2, 3 & 4]
	1107786	Cap Mounting Hardware w/Trim Seal - 132" [Includes 1; 7 of 2, 3 & 4]
	1107787	Metal Cap Mounting Hardware - Bolt Kit [Includes 7 of 2, 3 & 4]
1	1100165	Trim Seal - 110"
	1100357	Trim Seal - 132"
	1700152	Trim Seal (per foot)
2	1700400	Self-Tapping Screw - 3/8" x 1"
3	1700434	Lock Washer - 3/8"
4	1700407	Hex Nut - 3/8"
5	1701238	Rubber Windshield (per foot)
ALUMINUM FRONT CAPS		
6	1107396	Square Front* - Low Rise - 94"
	1107395	Square Front* - Low Rise - 95"
	1107406	Square Front* - Low Rise - 96"
	1107480	Square Front* - Low Rise - 102"
	1107493	Square Front* - High Rise - 96"
	1107514	Square Front* - High Rise - 102"
7		Radius Front* ** - Low or High Rise - Up to 102" Diagonal Front* ** - Low or High Rise - Up to 102"
8		Universal Front* - Flat, Low or High Rise - Up to 102"
9	1107422	Square Front - Flat - 96"
	1107510	Square Front - Flat - 102"
ALUMINUM BACK CAPS		
10	1107417	Square Back* - Low Rise - 94"
	1107420	Square Back* - Low Rise - 95"
	1107426	Square Back* - Low Rise - 96"
	1107483	Square Back* - Low Rise - 102"
	1107501	Square Back* - High Rise - 96"
	1107517	Square Back* - High Rise - 102"
11	1107421	Square Back - Flat - 96"
	1107512	Square Back - Flat - 102"

*Low-rise caps have a 6" rise; high-rise caps have a 10" rise.

**Mounting hardware NOT included.

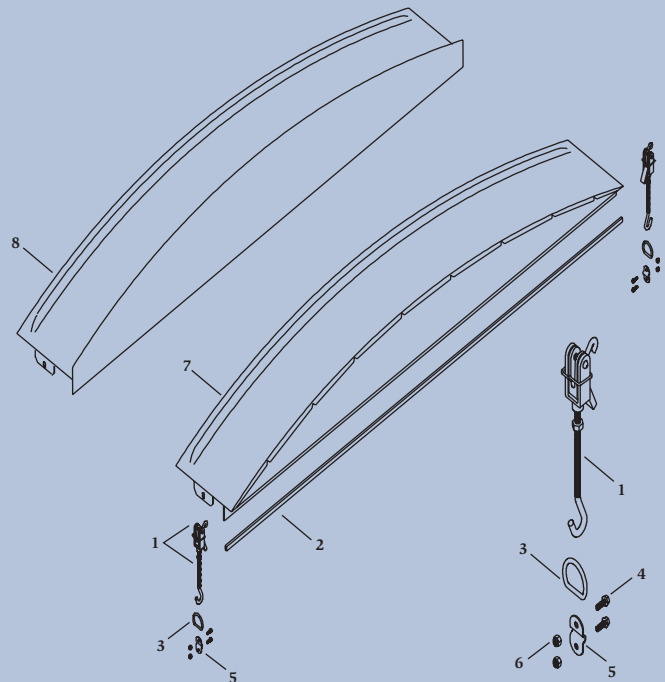


END CAPS – ALUMINUM EASY-OFF

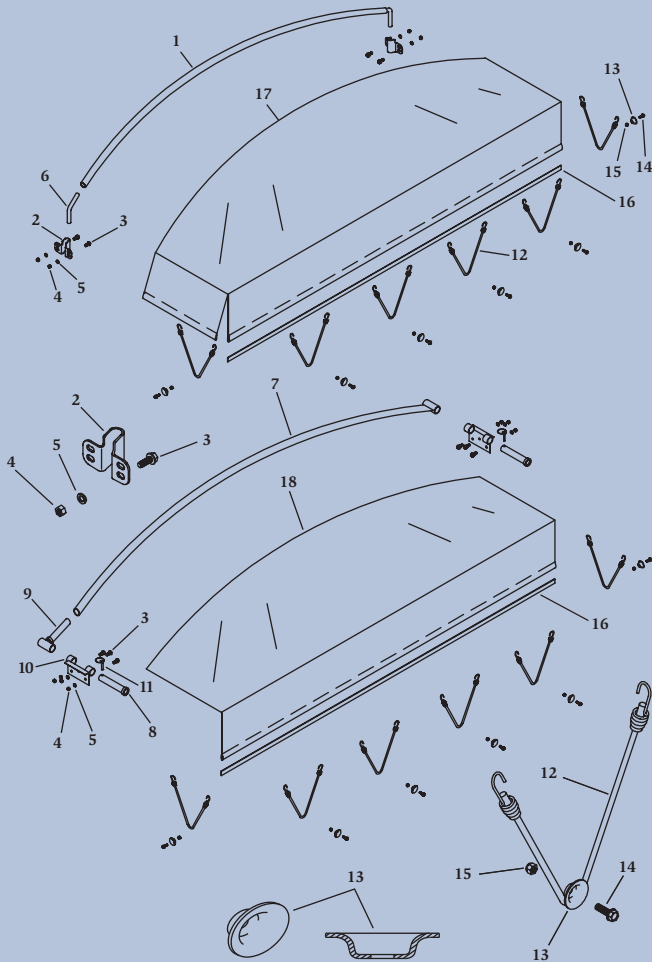
ITEM	PART #	DESCRIPTION
MOUNTING HARDWARE		
	1101934	Easy-Off Cap Mounting Hardware w/Rubber Seal [Includes 2; 2 of 1, 3 & 5; 4 of 4 & 6]
1	1701113	Over-Center Clamp/Safety Clip
2	1101865	Rubber Seal - 100"
	1701115	Rubber Seal (per foot)
3	1701218	D-Ring - 1-1/2"
4	1701059	Self-Tapping Screw - 5/16" x 1"
5	1701114	D-Ring Plate
6	1700419	Nylon Lock Hex Nut - 5/16"
EASY-OFF FRONT CAPS		
7	1111556	Easy-Off Front* - Low Rise - 91"
	1107534	Easy-Off Front* - Low Rise - 93-1/2"
	1121915	Easy-Off Front* - Low Rise - 95"
	1107537	Easy-Off Front* - Low Rise - 99-1/2"
	1107540	Easy-Off Front* - High Rise - 93-1/2"
	1107543	Easy-Off Front* - High Rise - 99-1/2"
EASY-OFF BACK CAPS		
8	1111555	Easy-Off Back* - Low Rise - 91"
	1107554	Easy-Off Back* - Low Rise - 93-1/2"
	1110331	Easy-Off Back* - Low Rise - 95"
	1107557	Easy-Off Back* - Low Rise - 99-1/2"
	1110334	Easy-Off Back* - Low Rise - 101"
	1107560	Easy-Off Back* - High Rise - 93-1/2"
	1107563	Easy-Off Back* - High Rise - 99-1/2"

*Low-rise caps have a 6" rise; high-rise caps have a 10" rise.

NOTE: All components other than standard may require non-refundable engineering/manufacturing fees. Call for details.



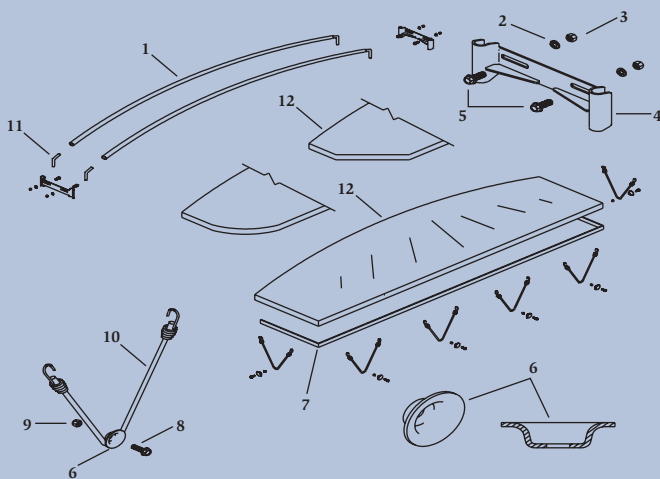
END CAPS – FABRIC BACK



ITEM	PART #	DESCRIPTION
HARDWARE for (Does NOT Include Fabric Insert)		
	1100640	Single Back Standard Fabric Cap* - Low Rise - Hardware [Includes 1; 6; 2 of 2; 4 of 3, 4 & 5; 6 of 12, 13, 14 & 15]
	1100639	Single Back Standard Fabric Cap* - High Rise - Hardware [Includes 1; 6; 2 of 2; 4 of 3, 4 & 5; 6 of 12, 13, 14 & 15]
HARDWARE for HEAVY-DUTY BOWS		
	1102903	Single Back Heavy-Duty Fabric Cap/Flap* - Low Rise - Hardware [Includes 7; 9; 2 of 8, 10, 11 & 16; 6 of 3, 4, 5, 12, 13, 14 & 15]
	1102829	Single Back Heavy-Duty Fabric Cap/Flap* - High Rise - Hardware [Includes 7; 9; 2 of 8, 10, 11 & 16; 6 of 3, 4, 5, 12, 13, 14 & 15]
	1105303	Fabric Cap Hardware Kit [Includes 4 of 3, 4 & 5; 6 of 13, 14 & 15]
1	1100760	Galvanized Bow - Low Rise* - 93" to 102"
	1100762	Galvanized Bow - High Rise* - 96" to 102"
2	1120836	Single Bow Bracket
3	1700400	Self-Tapping Screw - 3/8" x 1"
4	1700407	Hex Nut - 3/8"
5	1700434	Lock Washer - 3/8"
6	1100695	Galvanized Bow Shank* - Low Rise
	1106925	Galvanized Bow Shank* - High Rise
7	1106612	Heavy-Duty Bow* - Low Rise
	1101927	Heavy-Duty Bow* - High Rise
8	1104123	Heavy-Duty Bow Pin
9	1104706	Heavy-Duty Bow Shank
10	1106614	Heavy-Duty Bow Bracket
11	1701098	Lynch Pin - 5/16" x 1-3/4"
12	1700990	Bungee Cord - 18"
13	1701355	Rope Anchor
14	1701059	Self-Tapping Screw - 5/16" x 1"
15	1700419	Nylon Lock Hex Nut - 5/16"
16	1700581	Aluminum Flat Bar - 103"
FABRIC INSERT ONLY		
17		Square Back - 96"
		Square Back - 102"
FABRIC FLAP INSERT ONLY		
18		Dump Flap - 96"
		Dump Flap - 102"

*Low-rise caps have a 6" rise; high-rise caps have a 10" rise. Low-rise bows have an 8" rise; high-rise bows have a 12" rise.

END CAPS – FABRIC FRONT



ITEM	PART #	DESCRIPTION
HARDWARE (Does NOT Include Fabric Insert)		
	1100642	Double Front Fabric Cap* - Low Rise - Hardware [Includes 2 of 1, 4, 7 & 11; 4 of 2, 3 & 5; 6 of 6, 8, 9 & 10]
	1100641	Double Front Fabric Cap* - High Rise - Hardware [Includes 2 of 1, 4, 7 & 11; 4 of 2, 3 & 5; 6 of 6, 8, 9 & 10]
	1105303	Fabric Cap Hardware Kit [Includes 4 of 3, 4 & 5; 6 of 13, 14 & 15]
1	1100760	Galvanized Bow* - Low Rise - 93" to 102"
	1100762	Galvanized Bow* - High Rise - 96" to 102"
2	1700434	Lock Washer - 3/8"
3	1700407	Hex Nut - 3/8"
4	1108211	Double Bow Bracket
5	1700400	Self-Tapping Screw - 3/8" x 1"
6	1701355	Rope Anchor
7	1700581	Aluminum Flat Bar - 103"
8	1701059	Self-Tapping Screw - 5/16" x 1"
9	1700419	Nylon Lock Hex Nut - 5/16"
10	1700990	Bungee Cord - 18"
11	1100695	Galvanized Bow Shank* - Low Rise
	1106925	Galvanized Bow Shank* - High Rise
FABRIC INSERT ONLY		
12		Square Front - 96"
		Square Front - 102"
		Radius/Diagonal Front - 96"
		Radius/Diagonal Front - 102"

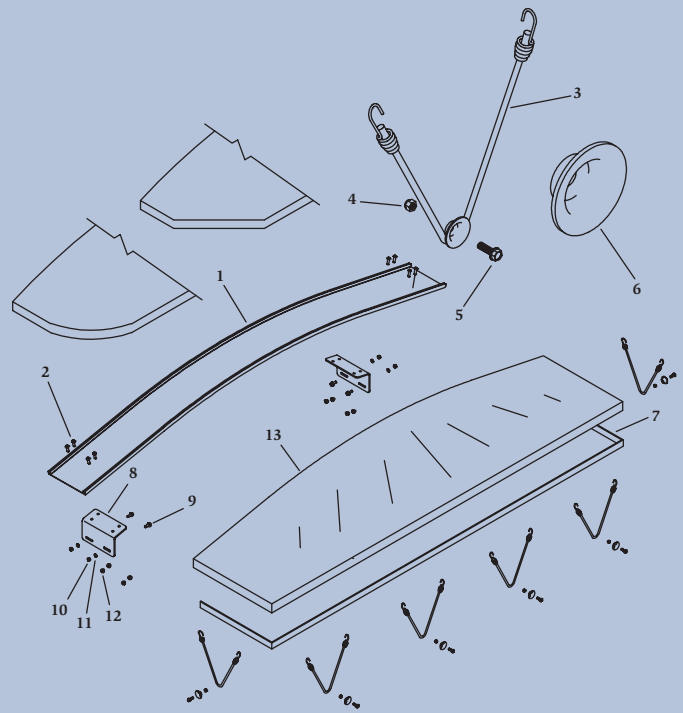
*Low-rise caps have a 6" rise; high-rise caps have a 10" rise. Low-rise bows have an 8" rise; high-rise bows have a 12" rise.

NOTE: Grain carts use single back fabric cap front and back (see above).

NOTE: All components other than standard may require non-refundable engineering/manufacturing fees. Call for details.

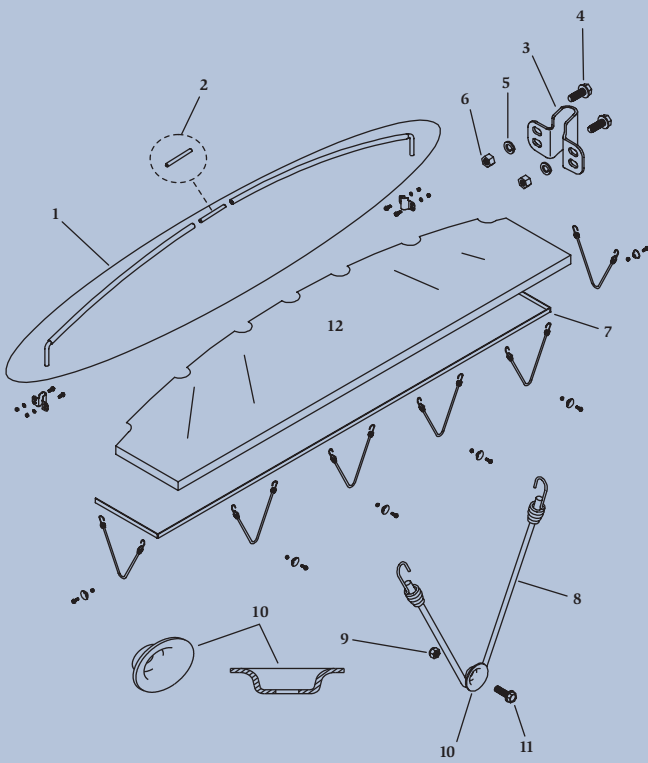
END CAPS – FABRIC FRONT/BACK COMBO

ITEM	PART #	DESCRIPTION
HARDWARE for FRONT/BACK COMBO BOWS (Does NOT Include Fabric Insert)		
	1122902	Combo Bow w/Mounting Brackets* - Low Rise - 96" [Includes 1; 2 of 8]
	1122905	Combo Bow w/Mounting Brackets* - Low Rise - 102" [Includes 1; 2 of 8]
	1122903	Combo Bow w/Mounting Brackets* - High Rise - 96" [Includes 1; 2 of 8]
	1122906	Combo Bow w/Mounting Brackets* - High Rise - 102" [Includes 1; 2 of 8]
	1122904	Combo Bow w/Mounting Brackets* - 10" Rise - 96" [Includes 1; 2 of 8]
	1122907	Combo Bow w/Mounting Brackets* - 10" Rise - 102" [Includes 1; 2 of 8]
	1122908	Combo Bow Kit w/Flatbar* - Low Rise - 96" [Includes 1; 2 of 7 & 8; 4 of 9, 10 & 11; 6 of 3, 4, 5 & 6; 8 of 2 & 12]
	1122911	Combo Bow Kit w/Flatbar* - Low Rise - 102" [Includes 1; 2 of 7 & 8; 4 of 9, 10 & 11; 6 of 3, 4, 5 & 6; 8 of 2 & 12]
	1122909	Combo Bow Kit w/Flatbar* - High Rise - 96" [Includes 1; 2 of 7 & 8; 4 of 9, 10 & 11; 6 of 3, 4, 5 & 6; 8 of 2 & 12]
	1122912	Combo Bow Kit w/Flatbar* - High Rise - 102" [Includes 1; 2 of 7 & 8; 4 of 9, 10 & 11; 6 of 3, 4, 5 & 6; 8 of 2 & 12]
	1122910	Combo Bow Kit w/Flatbar - 10" Rise - 96" [Includes 1; 2 of 7 & 8; 4 of 9, 10 & 11; 6 of 3, 4, 5 & 6; 8 of 2 & 12]
	1122913	Combo Bow Kit w/Flatbar - 10" Rise - 102" [Includes 1; 2 of 7 & 8; 4 of 9, 10 & 11; 6 of 3, 4, 5 & 6; 8 of 2 & 12]
	1122914	Combo Bow Kit w/Tarp Straps* - Low Rise - 96" [Includes 1; 2 of 8; 4 of 9, 10 & 11; 8 of 2, 3 & 12]
	1122917	Combo Bow Kit w/Tarp Straps* - Low Rise - 102" [Includes 1; 2 of 8; 4 of 9, 10 & 11; 8 of 2, 3 & 12]
	1122915	Combo Bow Kit w/Tarp Straps* - High Rise - 96" [Includes 1; 2 of 8; 4 of 9, 10 & 11; 8 of 2, 3 & 12]
	1122918	Combo Bow Kit w/Tarp Straps* - High Rise - 102" [Includes 1; 2 of 8; 4 of 9, 10 & 11; 8 of 2, 3 & 12]
	1122916	Combo Bow Kit w/Tarp Straps - 10" Rise - 96" [Includes 1; 2 of 8; 4 of 9, 10 & 11; 8 of 2, 3 & 12]
	1122919	Combo Bow Kit w/Tarp Straps - 10" Rise - 102" [Includes 1; 2 of 8; 4 of 9, 10 & 11; 8 of 2, 3 & 12]
	1105303	Fabric Cap Hardware Kit [Includes 4 of 9, 10 & 11; 6 of 4, 5 & 6]
	1122936	Combo Cap Hardware Kit [Includes 8 of 2 & 12]
1	1122863	Combo Bow* - Low Rise - 96"
	1122860	Combo Bow* - Low Rise - 102"
	1122865	Combo Bow* - High Rise - 96"
	1122862	Combo Bow* - High Rise - 102"
	1122864	Combo Bow - 10" Rise - 96"
	1122861	Combo Bow - 10" Rise - 102"
2	1704706	Top Lock Flange Nut - 3/8"
3	1700990	Bungee Cord - 18"
	1700650	Rubber Strap w/Hooks - 21"
4	1700419	Nylon Lock Hex Nut - 5/16"
5	1701059	Self-Tapping Screw - 5/16" x 1"
6	1701355	Rope Anchor
7	1700581	Aluminum Flat Bar - 103"
8	1122897	Combo Bow Bracket* - Low Rise
	1122899	Combo Bow Bracket* - High Rise
	1122898	Combo Bow Bracket - 10" Rise
9	1700400	Self-Tapping Screw - 3/8" x 1"
10	1700407	Hex Nut - 3/8"
11	1700434	Lock Washer - 3/8"
12	1701283	Button Head Cap Screw - 3/8" x 1-1/4"
FABRIC INSERT ONLY		
13		Combo Cap - 96"
		Combo Cap - 102"



*Low-rise caps have a 6" rise; high-rise caps have a 10" rise. Low-rise bows have an 8" rise; high-rise bows have a 12" rise.

NOTE: All components other than standard may require non-refundable engineering/manufacturing fees. Call for details.

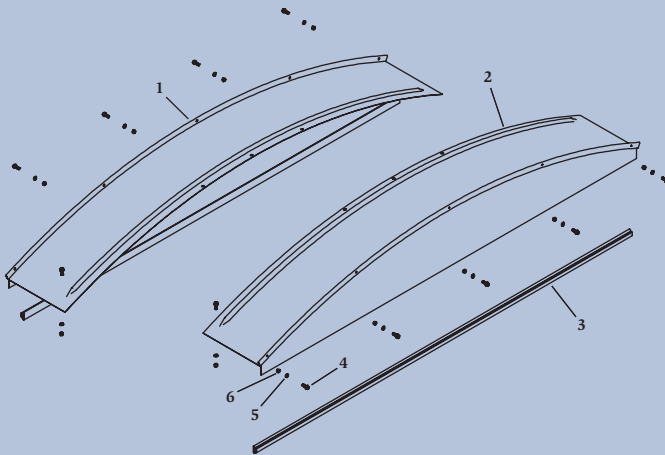


END CAPS – FABRIC X-WIDE

ITEM	PART #	DESCRIPTION
X-WIDE FABRIC CAP HARDWARE (Does NOT Include Fabric Insert)		
	1106947	X-Wide Fabric Cap* - Low Rise - Hardware [Includes 1; 2 of 3 & 8; 4 of 5, 6 & 7; 7 of 9, 10, 11 & 12]
	1106946	X-Wide Fabric Cap* - High Rise - Hardware [Includes 1; 2 of 3 & 8; 4 of 5, 6 & 7; 7 of 9, 10, 11 & 12]
1	1116118	X-Wide Bow** - Low Rise - 103" to 168"
	1116119	X-Wide Bow** - High Rise - 103" to 168"
2	1100685	X-Wide Bow Connector Tube
3	1120836	Single Bow Bracket
4	1700400	Self-Tapping Screw - 3/8" x 1"
5	1700434	Lock Washer - 3/8"
6	1700407	Hex Nut - 3/8"
7	1700581	Aluminum Flat Bar - 103"
8	1700990	Bungee Cord - 18"
9	1700419	Nylon Lock Hex Nut - 5/16"
10	1701355	Rope Anchor
11	1701059	Self-Tapping Screw - 5/16" x 1"
X-WIDE FABRIC INSERT ONLY		
12		Square Fabric Cap Insert - 103" to 108"
		Square Fabric Cap Insert - 109" to 120"
		Square Fabric Cap Insert - 121" to 132"
		Square Fabric Cap Insert - 133" to 144"
		Square Fabric Cap Insert - 145" to 156"
		Square Fabric Cap Insert - 157" to 168"

*Low-rise caps have a 6" rise; high-rise caps have a 10" rise. Low-rise bows have an 8" rise; high-rise bows have a 12" rise.

**Includes bow halves and connector tube.



END CAPS – GALVANIZED STEEL FACE MOUNT

ITEM	PART #	DESCRIPTION
MOUNTING HARDWARE		
	1107785	Cap Mounting Hardware w/Trim Seal - 110" [Includes 3; 7 of 4, 5 & 6]
	1107786	Cap Mounting Hardware w/Trim Seal - 132" [Includes 3; 7 of 4, 5 & 6]
	1107787	Metal Cap Mounting Hardware - Bolt Kit [Includes 7 of 4, 5 & 6]
GALVANIZED CAPS - FACE MOUNT		
1	1122295	Square Cap* - Low Rise - 89"
	1122283	Square Cap* - Low Rise - 93"
	1122281	Square Cap* - Low Rise - 95"
	1122289	Square Cap* - Low Rise - 100"
2	1122297	Square Cap* - High Rise - 89"
	1122293	Square Cap* - High Rise - 93"
	1122285	Square Cap* - High Rise - 95"
3	1100165	Trim Seal - 110"
	1100357	Trim Seal - 132"
	1700152	Trim Seal (per foot)
4	1700400	Self-Tapping Screw - 3/8" x 1"
5	1700434	Lock Washer - 3/8"
6	1700407	Hex Nut - 3/8"

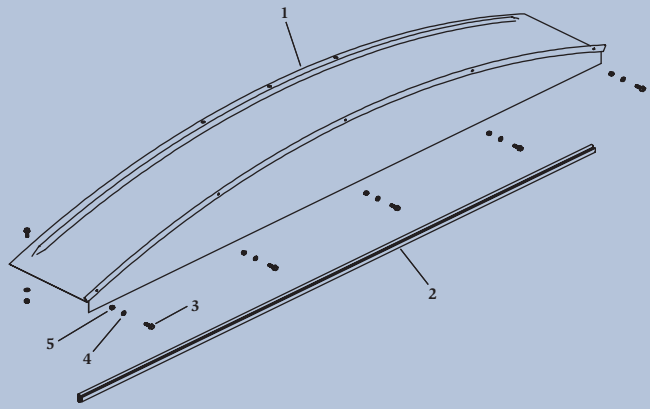
*Low-rise caps have a 6" rise; high-rise caps have a 10" rise.

NOTE: All components other than standard may require non-refundable engineering/manufacturing fees. Call for details.

END CAPS – GALV. STEEL FACE MOUNT X-WIDE

ITEM	PART #	DESCRIPTION
MOUNTING HARDWARE		
	1107785	Cap Mounting Hardware w/Trim Seal - 110" [Includes 3; 7 of 4, 5 & 6]
	1107786	Cap Mounting Hardware w/Trim Seal - 132" [Includes 3; 7 of 4, 5 & 6]
	1107787	Metal Cap Mounting Hardware - Bolt Kit [Includes 7 of 3, 4 & 5]
X-WIDE GALVANIZED CAPS - FACE MOUNT		
1	1122287	Square Cap* - High Rise - 107"
	1120686	Square Cap* - High Rise - 114"
	1122299	Square Cap* - High Rise - 119"
	1122301	Square Cap* - High Rise - 137"
	1116602	Square Cap* - High Rise - 142"
	1122291	Square Cap* - High Rise - 143"
2	1100165	Trim Seal - 110"
	1100357	Trim Seal - 132"
	1700152	Trim Seal (per foot)
3	1700400	Self-Tapping Screw - 3/8" x 1"
4	1700434	Lock Washer - 3/8"
5	1700407	Hex Nut - 3/8"

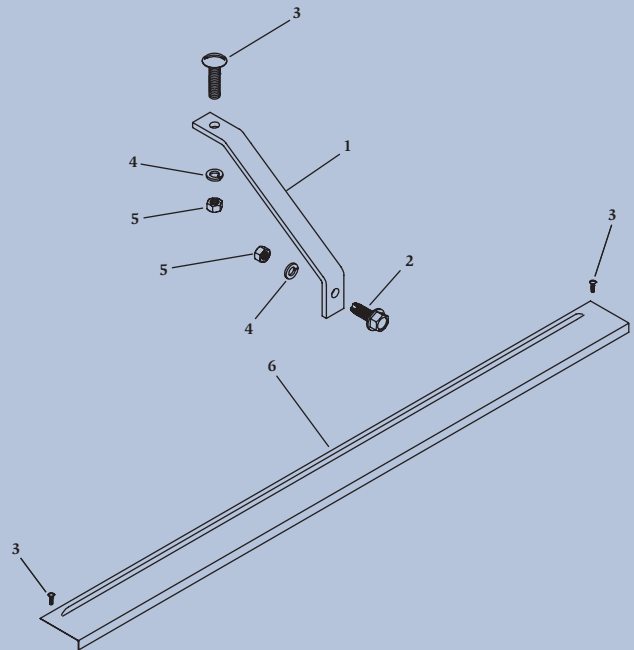
*Low-rise caps have a 6" rise; high-rise caps have a 10" rise.



END CAPS – GALVANIZED STEEL FLAT

ITEM	PART #	DESCRIPTION
MOUNTING HARDWARE		
	1107787	Metal Cap Mounting Hardware - Bolt Kit [Includes 7 of 2, 4 & 5]
	1116525	Cap Support Hardware Kit [Includes 4 of 2 & 3; 8 of 4 & 5]
1	1122773	Cap Support Brace*
2	1700400	Self-Tapping Screw - 3/8" x 1"
3	1703964	Truss Head Machine Screw - 3/8" x 1-1/4"
4	1700434	Lock Washer - 3/8"
5	1700407	Hex Nut - 3/8"
6	1120621	Square Cap - Flat - 119"
	1120620	Square Cap - Flat - 125"
	1120619	Square Cap - Flat - 131"
	1120618	Square Cap - Flat - 137"
	1120574	Square Cap - Flat - 142-1/2"
	1120575	Square Cap - Flat - 157-1/2"

*Cart MUST have vertical sides walls for cap brace to work correctly.

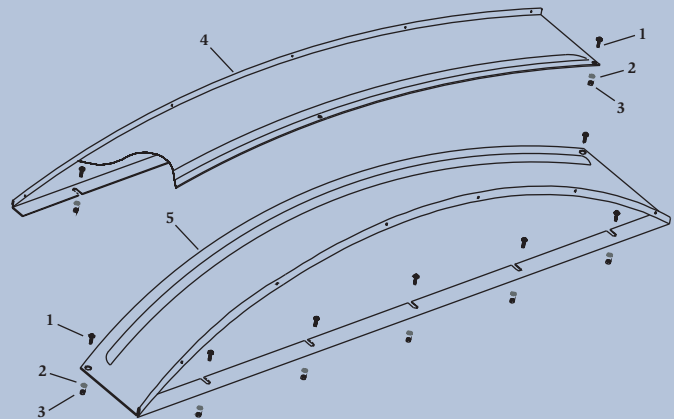


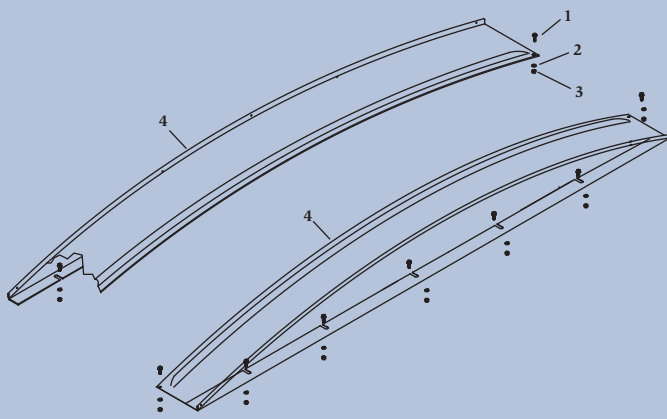
END CAPS – GALVANIZED STEEL TOP MOUNT

ITEM	PART #	DESCRIPTION
MOUNTING HARDWARE		
	1107787	Metal Cap Mounting Hardware - Bolt Kit [Includes 7 of 1, 2 & 3]
1	1700400	Self-Tapping Screw - 3/8" x 1"
2	1700434	Lock Washer - 3/8"
3	1700407	Hex Nut - 3/8"
GALVANIZED CAPS - TOP MOUNT		
4	1108977	Square Cap* - Low Rise - 93"
	1108980	Square Cap* - Low Rise - 95"
	1108983	Square Cap* - Low Rise - 100"
5	1108986	Square Cap* - High Rise - 93"
	1108989	Square Cap* - High Rise - 95"
	1108992	Square Cap* - High Rise - 100"

*Low-rise caps have a 6" rise; high-rise caps have a 10" rise.

NOTE: All components other than standard may require non-refundable engineering/manufacturing fees. Call for details.

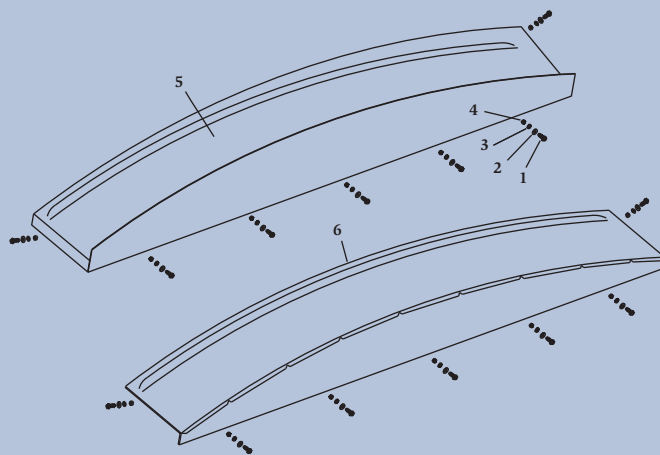




END CAPS – GALV. STEEL TOP MOUNT X-WIDE

ITEM	PART #	DESCRIPTION
MOUNTING HARDWARE		
	1107787	Metal Cap Mounting Hardware - Bolt Kit [Includes 7 of 1, 2 & 3]
1	1700400	Self-Tapping Screw - 3/8" x 1"
2	1700434	Lock Washer - 3/8"
3	1700407	Hex Nut - 3/8"
X-WIDE GALVANIZED CAPS - TOP MOUNT		
4	1110066	Square Cap* - High Rise - 107"
	1115936	Square Cap* - High Rise - 113"
	1110067	Square Cap* - High Rise - 119"
	1112042	Square Cap* - High Rise - 125"
	1110068	Square Cap* - High Rise - 131"
	1112045	Square Cap* - High Rise - 137"
	1112048	Square Cap* - High Rise - 142"
	1110069	Square Cap* - High Rise - 143"

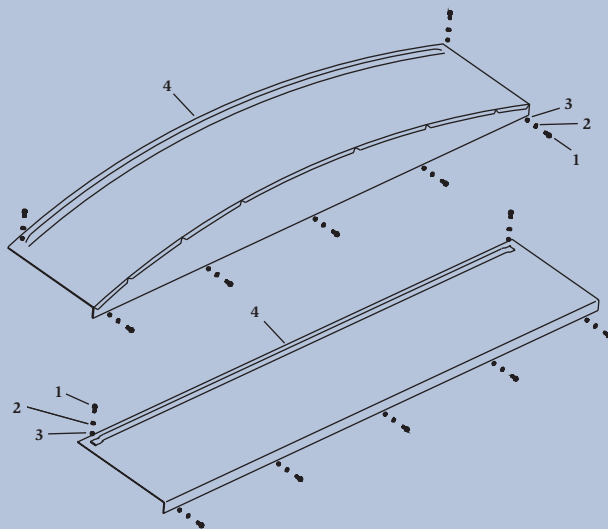
*Low-rise caps have a 6" rise; high-rise caps have a 10" rise.



END CAPS – STAINLESS STEEL

ITEM	PART #	DESCRIPTION
MOUNTING HARDWARE		
	1116274	Stainless Steel Cap Mounting Hardware - Bolt Kit [Includes 7 of 1, 2, 3 & 4]
1	1703579	Stainless Steel Cap Screw - 3/8" x 1"
2	1703577	Stainless Steel Flat Washer - 3/8"
3	1703576	Stainless Steel Lock Washer - 3/8"
4	1200999	Stainless Steel Nut - 3/8"
STAINLESS STEEL FRONT CAPS		
5	1116402	Square Front* - Low Rise - 90"
	1116403	Square Front* - Low Rise - 92"
	1116404	Square Front* - Low Rise - 94"
	1114897	Square Front* - Low Rise - 96"
	1116307	Square Front* - Low Rise - 102"
	1116398	Square Front* - High Rise - 90"
	1116399	Square Front* - High Rise - 92"
	1116400	Square Front* - High Rise - 94"
	1116330	Square Front* - High Rise - 96"
	1116401	Square Front* - High Rise - 102"
STAINLESS STEEL BACK CAPS		
6	1116395	Square Back* - Low Rise - 90"
	1116396	Square Back* - Low Rise - 92"
	1116397	Square Back* - Low Rise - 94"
	1114900	Square Rear* - Low Rise - 96"
	1116306	Square Back* - Low Rise - 102"
	1116384	Square Back* - High Rise - 90"
	1116385	Square Back* - High Rise - 92"
	1116386	Square Back* - High Rise - 94"
	1116329	Square Back* - High Rise - 96"
	1116394	Square Back* - High Rise - 102"

*Low-rise caps have a 6" rise; high-rise caps have a 10" rise.



END CAPS – WIL-SLIP™

ITEM	PART #	DESCRIPTION
MOUNTING HARDWARE		
	1107787	Metal Cap Mounting Hardware - Bolt Kit [Includes 7 of 1, 2 & 3]
1	1700400	Self-Tapping Screw - 3/8" x 1"
2	1700434	Lock Washer - 3/8"
3	1700407	Hex Nut - 3/8"
WIL-SLIP™ CAPS		
4	1116177	Square Back* ** - Low Rise - 96" x 26"
	1116181	Square Back* ** - Low Rise - 102" x 26"
	1116179	Square Back* - Flat - 95-3/4" x 26"
	1116183	Square Back* - Flat - 101-3/4" x 26"

*For use with cast housing Wil-Slip™ joint (P/N 1703588), see page 51.

**Low-rise caps have a 6" rise.

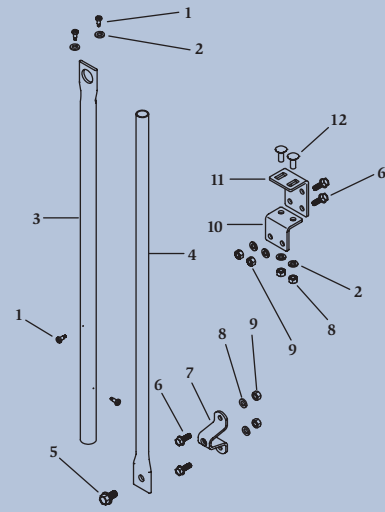
NOTE: All components other than standard may require non-refundable engineering/manufacturing fees. Call for details.

HIGH-LIFT END GATES

ITEM	PART #	DESCRIPTION
	1121904	Stabilizer Arm Kit* [Includes 1; 2; 3; 6; 2 of 4, 7, 8 & 9; 4 of 5]
	1121506	Adjustable Offset Bracket Kit** [Includes 10; 11; 2 of 7 & 12; 4 of 8 & 9]
1	1700398	Self-Drilling Screw - 1/4" x 3/4"
2	1118037	Plastic Washer - Black
3	1121901	Upper Stabilizer Arm
4	1121902	Lower Stabilizer Arm
5	1702996	Flanged Cap Screw - 1/2" x 1-1/4"
6	1700400	Self-Tapping Screw - 3/8" x 1"
7	1107080	Crank Retainer Standoff - 3"
8	1700434	Lock Washer - 3/8"
9	1700407	Hex Nut - 3/8"
10	1121508	Adjustable Offset Bracket - Fixed
11	1121507	Adjustable Offset Bracket - Slider
12	1702522	Carriage Bolt - 3/8" x 1" - GR2

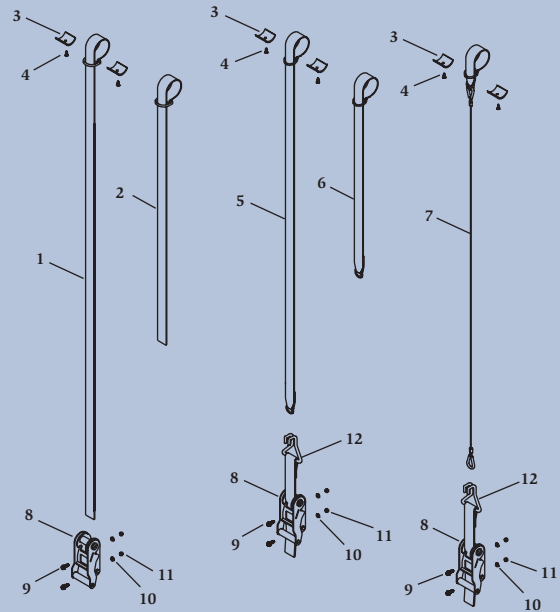
*For use with high-lift end gates.

**For use with latchplate and easy-off tarp stops. Bracket adjusts from 2" to 3" wide.



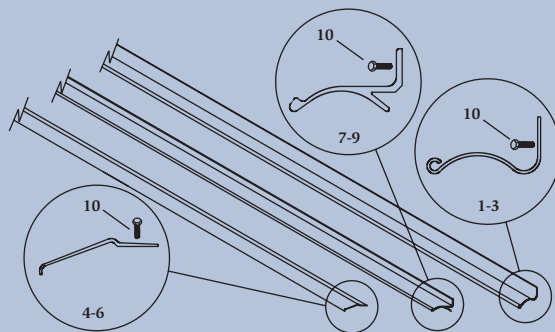
HOLD-DOWNS

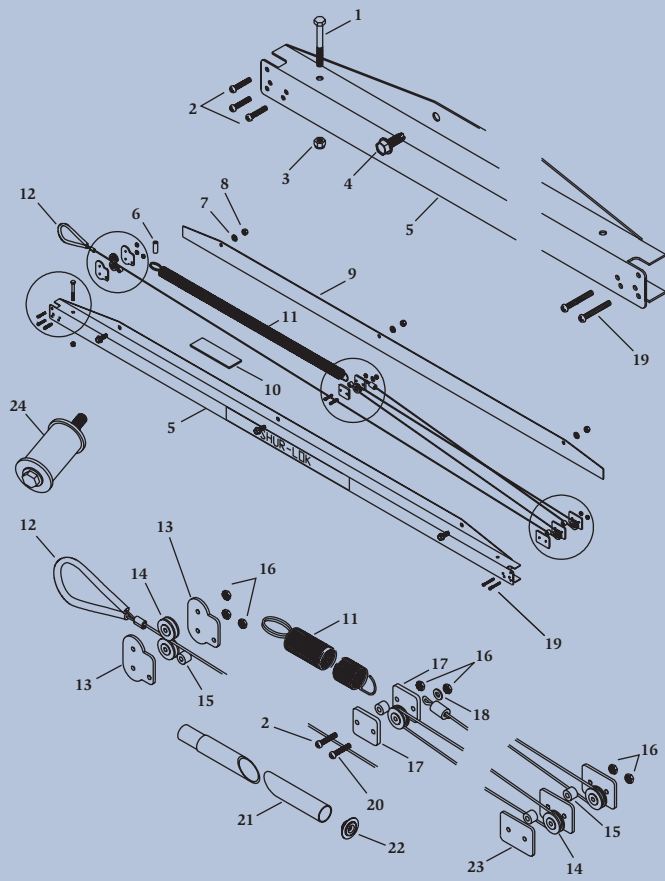
ITEM	PART #	DESCRIPTION
	1106770	Cable Hold-Down Kit - 7' [Includes 7; 8; 12; 2 of 9, 10 & 11]
	1106771	Strap Hold-Down Kit - 5' [Includes 2; 8; 2 of 9, 10 & 11]
	1106772	Strap Hold-Down Kit - 9' [Includes 1; 8; 2 of 9, 10 & 11]
	1107224	Strap Hold-Down Kit w/Hook - 5' [Includes 6; 8; 12; 2 of 9, 10 & 11]
	1107225	Strap Hold-Down Kit w/Hook - 7' [Includes 5; 8; 12; 2 of 9, 10 & 11]
1	1106774	Strap Assembly - 9'
2	1100470	Strap Assembly - 5'
3	1701354	Plastic U-Clamp
4	1700398	Self-Drilling Screw - 1/4" x 3/4"
5	1107223	Wire Hook Strap Assembly - 7'
6	1107222	Wire Hook Strap Assembly - 5'
7	1106763	Cable Assembly - 7'
8	1100457	Ratchet - 2"
9	1700400	Self-Tapping Screw - 3/8" x 1"
10	1700434	Lock Washer - 3/8"
11	1700407	Hex Nut - 3/8"
12	1106754	Web Assembly w/Hook



LATCHPLATES

ITEM	PART #	DESCRIPTION
1	1701546	Galvanized Side Mount Latchplate - 4'
2	1113005	Galvanized Side Mount Latchplate - 6'
3	1701547	Galvanized Side Mount Latchplate - 8'
4	1100370	Aluminum Top Mount Latchplate - 4'
5	1100369	Aluminum Top Mount Latchplate - 6'
6	1100368	Aluminum Top Mount Latchplate - 8'
7	1100749	Aluminum Side Mount Latchplate - 4'
8	1700802	Aluminum Side Mount Latchplate - 6'
9	1700522	Aluminum Side Mount Latchplate - 8'
10	1700400	Self-Tapping Screw - 3/8" x 1"



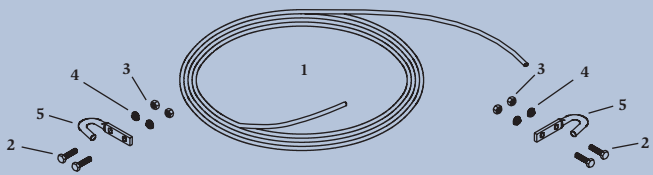


RETURNS – FRONT/REAR CABLE

ITEM	PART #	DESCRIPTION
	1111121	Rear Cable Return Kit* [Includes 1; 3; 5; 6; 10; 11; 12; 18; 20; 2 of 13, 17 & 19; 3 of 4, 7, 8 & 23; 4 of 2 & 15; 5 of 14; 7 of 16]
	1111122	Front Cable Return Kit* [Includes 1; 3; 5; 6; 10; 11; 12; 18; 20; 22; 2 of 13, 17 & 19; 3 of 4, 7, 8 & 23; 4 of 2 & 15; 5 of 14; 7 of 16]
	1112064	Rear Cable Return Kit w/Roll Tube Extension* [Includes 1; 3; 5; 6; 10; 12; 18; 20; 21; 22; 2 of 13, 17, 18 & 19; 3 of 4, 7, 8 & 23; 4 of 2 & 15; 5 of 14; 7 of 16]
	1112065	Front Cable Return Kit w/Roll Tube Extension* [Includes 1; 3; 5; 6; 10; 12; 18; 20; 21; 22; 2 of 13, 17, 18 & 19; 3 of 4, 7, 8 & 23; 4 of 2 & 15; 5 of 14; 7 of 16]
	1114913	X-Wide Rear Cable Return Kit* [Includes 1; 3; 5; 6; 9; 10; 11; 12; 18; 20; 2 of 13, 17 & 19; 3 of 4, 7, 8 & 23; 4 of 2 & 15; 5 of 14; 7 of 16]
	1114914	X-Wide Front Cable Return Kit* [Includes 1; 3; 5; 6; 9; 10; 11; 12; 18; 20; 22; 2 of 13, 17 & 19; 3 of 4, 7, 8 & 23; 4 of 2 & 15; 5 of 14; 7 of 16]
	1114915	X-Wide Front Cable Return Kit w/Roll Tube Ext.* [Includes 1; 3; 5; 6; 9; 10; 11; 12; 18; 20; 21; 22; 2 of 13, 17, 18 & 19; 3 of 4, 7, 8 & 23; 4 of 2 & 15; 5 of 14; 7 of 16]
	1113025	Rear Cable Return Kit* - Heavy Duty** [Includes 1; 3; 5; 6; 10; 11; 12; 18; 20; 2 of 13, 17 & 19; 3 of 4, 7, 8 & 23; 4 of 2 & 15; 5 of 14; 7 of 16]
	1120650	Front Cable Return Kit* - Heavy Duty** [Includes 1; 3; 5; 6; 10; 11; 12; 18; 20; 22; 2 of 13, 17 & 19; 3 of 4, 7, 8 & 23; 4 of 2 & 15; 5 of 14; 7 of 16]
	1111469	Cable Return Mounting Hardware Kit [Includes 3 of 4, 7 & 8]
1	1702672	Hex Head Cap Screw - 1/4" x 2-1/4"
2	1702654	Machine Screw - 1"
3	1701543	Nylon Lock Hex Nut - 1/4"
4	1700400	Self-Tapping Screw - 3/8" x 1"
5	1114728	Universal Cable Return Housing
	1112902	Universal X-Wide Cable Return Housing
6	1115014	Spacer Washer - 1-5/8"
7	1700434	Lock Washer - 3/8"
8	1700407	Hex Nut - 3/8"
9	1112904	Cable Return Back Plate - X-Wide
10	1115206	Velcro Hook - 1" x 4"
11	1702657	Extension Spring
	1702896	Heavy-Duty Extension Spring
12	1114582	Cable w/Return Strap
	1114932	X-Wide Cable w/Return Strap
13	1114691	Front Retainer Plate
14	1703006	Pulley - 1/16" Cable Groove
15	1111056	Plastic Spacer - 3/8" Thick
16	1702653	Machine Screw Nut
17	1112997	Rope Block Retainer Plate
18	1111054	Flat Washer
19	1702656	Machine Screw - 1-1/2"
20	1702655	Machine Screw - 1-1/4"
21	1117496	Swaged Roll Tube Extension - 2" x 32" (optional)
22	1111808	End Plug/Cable Retainer w/Screw
23	1110913	Rear Retainer Plate
24	1116117	Cable Guide Kit

*For reverse-roll systems, rear return should be used on front of trailer and front return should be used on rear of trailer.

**Use for 4500 Series HD return when rear arm cannot be utilized.

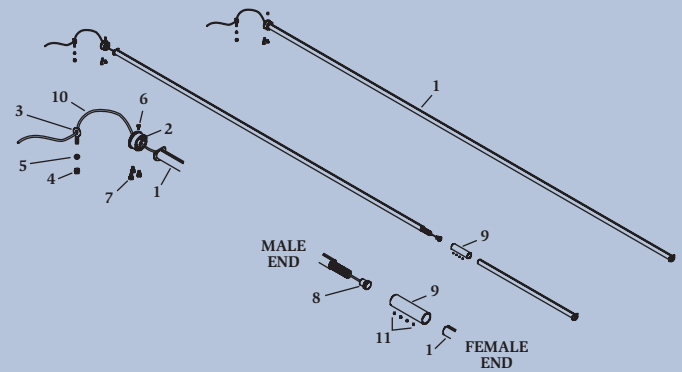


RETURNS – ROPE

ITEM	PART #	DESCRIPTION
	1100064	Rope Return Kit [Includes 1; 2 of 5; 4 of 2, 3 & 4]
1	1100469	Rope - 32'
2	1700381	Hex Head Cap Screw - 1/4" x 1"
3	1700408	Hex Nut - 1/4"
4	1700436	Lock Washer - 1/4"
5	1700682	Box Hook - 5/16" Holes

RETURNS – SHUR-RETURN™

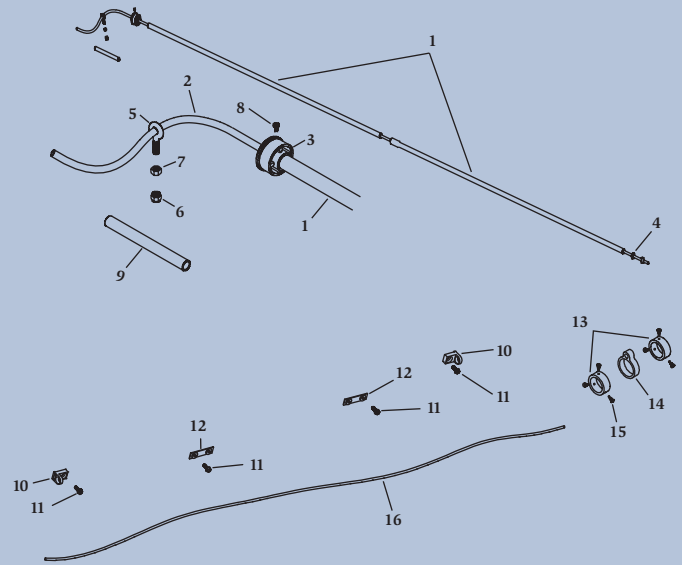
ITEM	PART #	DESCRIPTION
	1100824	Shur-Return™ Kit [Includes 1; 2; 3; 4; 5; 6; 10; 5 of 7]
	1107881	UPS-able Shur-Return™ Kit [Includes Male End; Female End; 2; 3; 4; 5; 6; 9; 10; 4 of 11; 5 of 7]
	1107128	Shur-Return™ Hardware Kit [Includes 2; 3; 4; 5; 6; 5 of 7]
1	1100832	Tube Assembly (Spring - Rope - Slide)
2	1100138	Nylon End Plug
3	1700717	Eyebolt Anchor - 5/16"
4	1700419	Nylon Lock Hex Nut - 5/16"
5	1700411	Hex Nut - 5/16"
6	1704743	Self-Drilling Screw - 10-16 x 1/2"
7	1700736	Self-Tapping Screw - 1/4" x 1/2"
8	1100827	Spring Retainer Plug
9	1107879	Connector Sleeve
10	1100826	Shur-Return™ Rope*
11	1701423	Hex Socket Set Screw - #10 x 3/16"



*Shur-Return™ rope does NOT stretch (see stretch cord, below).

RETURNS – STRETCH CORD

ITEM	PART #	DESCRIPTION
	1114359	Front Stretch Cord Roll Return Kit* [Includes 1; 2; 3; 4; 5; 6; 7; 8; 9]
	1114361	X-Wide Front Stretch Cord Roll Return Kit* [Includes 1; 2; 3; 4; 5; 6; 7; 8; 9]
	1114951	Shock Cord Roll Return Kit [Includes 10; 12; 14; 16; 2 of 11 & 13; 6 of 15]
	1119034	Replacement End Plug Kit [Includes 3; 8]
	1107127	Roll Return Hardware Kit* [Includes 3; 4; 5; 6; 7; 8; 9]
1	1111067	Roll Return Tube Set - 2 Pc.
	1115041	X-Wide Roll Return Tube Set - 3 Pc.
2	1114360	Roll Return Stretch Cord* ** - 11-1/2'
	1114362	Roll Return Stretch Cord* ** - 16-1/2'
	1703335	Roll Return Stretch Cord - 300'
3	1100138	Nylon End Plug
4	1703373	Flat Washer - 1/2"
5	1700717	Eyebolt Anchor - 5/16"
6	1700419	Nylon Lock Hex Nut - 5/16"
7	1700411	Hex Nut - 5/16"
8	1704743	Self-Drilling Screw - 10-16 x 1/2"
9	1107680	Protective Stretch Cord Cover
10	1703445	Shock Cord Eye Bracket
11	1700400	Self-Tapping Screw - 3/8" x 1"
12	1114948	Shock Cord Tie-Down Strap
13	1704352	Rear Arm Retaining Collar
14	1114947	Roll Tube Eye
15	1704353	Self-Drilling Screw - 1/4" x 1"
16	1122332	Shock Cord** - 11-1/2"

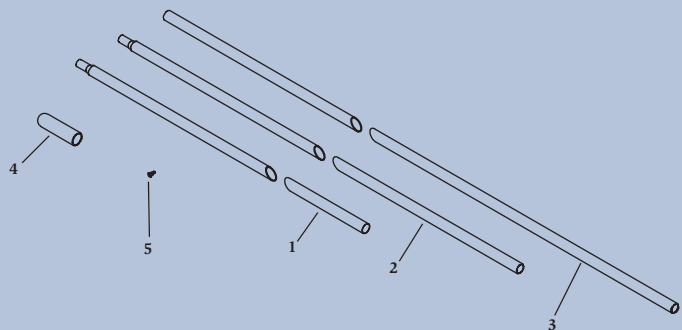


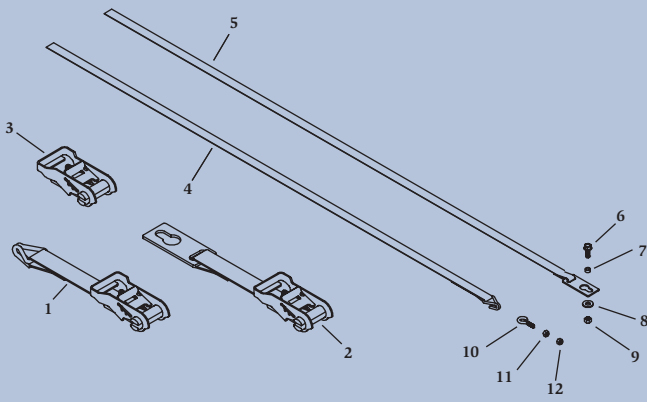
*Includes instructions.

**Comes with protective stretch cord cover P/N 1107680.

RIDGEPOLES

ITEM	PART #	DESCRIPTION
	1105310	Rollaway Ridgepole Hardware [Includes 2 of 4; 2 of 5]
1	1701204	Ridgepole Tube - 16'
2	1701205	Ridgepole Tube - 20'
3	1701206	Ridgepole Tube - 24'
4	1700212	Protective Cap
5	1704768	Self-Drilling Screw - 1/4" x 3/4"

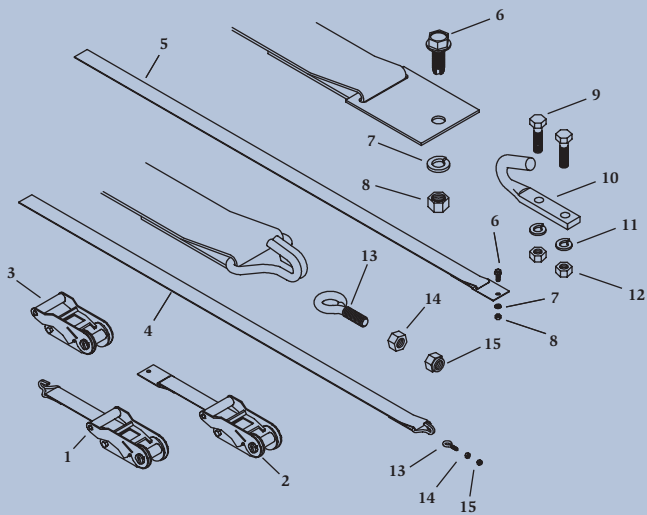




RIDGE STRAPS – 1-INCH GALVANIZED STEEL

ITEM	PART #	DESCRIPTION
	1101685	Ridge Strap Kit w/Anchor - 1" x 25' [Includes 2; 5; 2 of 6, 7, 8 & 9]
	1101686	Ridge Strap Kit w/Anchor - 1" x 39' [Includes 2; 5; 2 of 6, 7, 8 & 9]
	1101687	Ridge Strap Kit w/Anchor - 1" x 46' [Includes 2; 5; 2 of 6, 7, 8 & 9]
	1107068	Ridge Strap Kit w/Anchor - 1" x 56' [Includes 2; 5; 2 of 6, 7, 8 & 9]
	1101833	Ridge Strap Kit w/Hook* - 1" x 46' [Includes 1; 4]
	1120454	Ridge Strap Kit w/Hook* - 1" x 56' [Includes 1; 4]
	1105244	Ridge Strap Hardware Kit - 1" [Includes 2 of 6, 7, 8 & 9]
	1101689	Eyebolt Hardware Kit [Includes 2 of 10, 11 & 12]
1	1106153	Ratchet w/1" Ridge Strap/Hook
2	1101678	Ratchet w/1" Ridge Strap/Anchor
3	1700836	Ratchet - 1" Web
4	1101835	Ridge Strap w/Hook - 1" x 46'
	1116163	Ridge Strap w/Hook - 1" x 56'
5	1101680	Ridge Strap w/Anchor - 1" x 25'
	1101681	Ridge Strap w/Anchor - 1" x 39'
	1101682	Ridge Strap w/Anchor - 1" x 46'
	1107066	Ridge Strap w/Anchor - 1" x 56'
6	1700400	Self-Tapping Screw - 3/8" x 1"
7	1101683	Anchor Bushing
8	1701176	Flat Washer - 3/8"
9	1700418	Centerlock Hex Nut - 3/8"
10	1700717	Eyebolt Anchor - 5/16"
11	1700411	Hex Nut - 5/16"
12	1700419	Nylon Hex Nut - 5/16"

*Eyebolt NOT included.



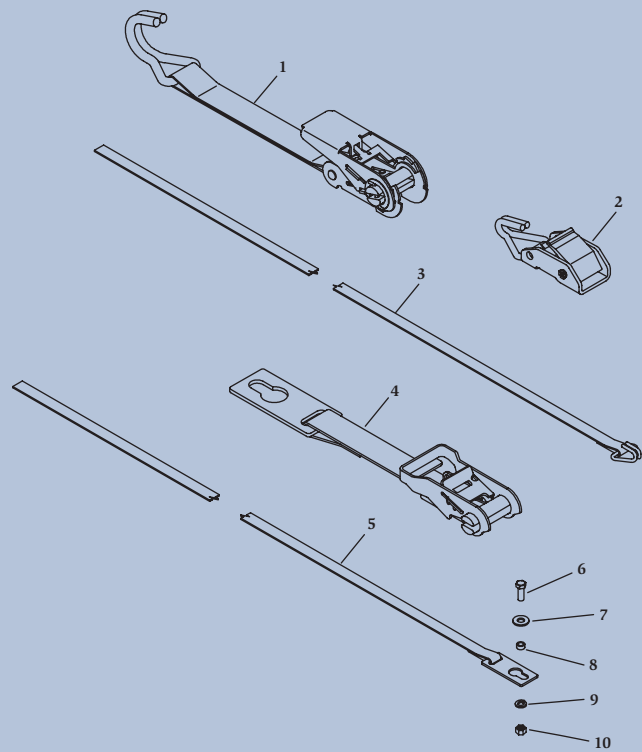
RIDGE STRAPS – 2-INCH GALVANIZED STEEL

ITEM	PART #	DESCRIPTION
	1100783	Ridge Strap Kit w/Anchor - 2" x 25' [Includes 2; 5; 2 of 6, 7, 8 & 10; 4 of 9, 11 & 12]
	1100784	Ridge Strap Kit w/Anchor - 2" x 39' [Includes 2; 5; 2 of 6, 7, 8 & 10; 4 of 9, 11 & 12]
	1100774	Ridge Strap Kit w/Anchor - 2" x 46' [Includes 2; 5; 2 of 6, 7, 8 & 10; 4 of 9, 11 & 12]
	1107069	Ridge Strap Kit w/Anchor - 2" x 56' [Includes 2; 5; 2 of 6, 7, 8 & 10; 4 of 9, 11 & 12]
	1111823	Ridge Strap Kit w/Hook* - 2" x 46' [Includes 1; 4]
	1105242	Ridge Strap Hardware Kit - 2" [Includes 2 of 6, 7, 8 & 10; 4 of 9, 11 & 12]
1	1111818	Ratchet w/2" Ridge Strap/Hook
2	1100594	Ratchet w/2" Ridge Strap/Anchor
3	1700519	Ratchet - 2" Web
4	1111817	Ridge Strap w/Hook - 2" x 46'
5	1100571	Ridge Strap w/Anchor - 2" x 25'
	1100579	Ridge Strap w/Anchor - 2" x 39'
	1100580	Ridge Strap w/Anchor - 2" x 46'
	1107067	Ridge Strap w/Anchor - 2" x 56'
6	1700400	Self-Tapping Screw - 3/8" x 1"
7	1700434	Lock Washer - 3/8"
8	1700407	Hex Nut - 3/8"
9	1700381	Hex Head Cap Screw - 1/4" x 1"
10	1700682	Box Hook - 5/16" Holes
11	1700436	Lock Washer - 1/4"
12	1700408	Hex Nut - 1/4"
13	1700717	Eyebolt Anchor - 5/16"
14	1700411	Hex Nut - 5/16"
15	1700419	Nylon Hex Nut - 5/16"

*Eyebolt NOT included.

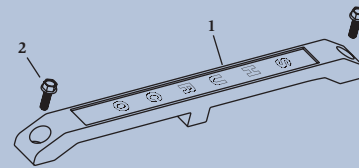
RIDGE STRAPS – 1-IN. POWDER-COAT/STAINLESS

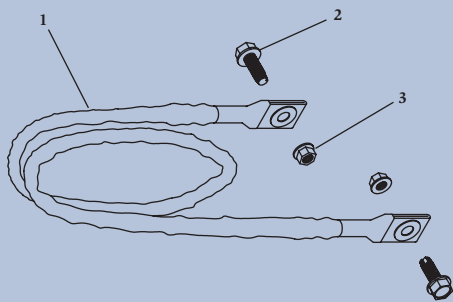
ITEM	PART #	DESCRIPTION
	1123803	Stainless Ridge Strap Kit w/Anchor - 1" x 41" [Includes 4; 5; 2 of 6, 8, 9 & 10; 4 of 7]
	1123804	Stainless Ridge Strap Kit w/Anchor - 1" x 48" [Includes 4; 5; 2 of 6, 8, 9 & 10; 4 of 7]
	1123805	Stainless Ridge Strap Kit w/Anchor - 1" x 56" [Includes 4; 5; 2 of 6, 8, 9 & 10; 4 of 7]
	1120301	Stainless Ridge Strap Kit w/Hook - 1" x 10' [Includes 1; 3]
	1120302	Stainless Ridge Strap Kit w/Hook - 1" x 14' [Includes 1; 3]
	1121407	Stainless Ridge Strap Kit w/Hook - 1" x 18' [Includes 1; 3]
	1121409	Stainless Ridge Strap Kit w/Hook - 1" x 24' [Includes 1; 3]
	1118513	Powder-Coated Ridge Strap Kit w/Hook - 1" x 10" [Includes 2; 3]
	1118515	Powder-Coated Ridge Strap Kit w/Hook - 1" x 14" [Includes 2; 3]
	1118517	Powder-Coated Ridge Strap Kit w/Hook - 1" x 18" [Includes 2; 3]
	1118519	Powder-Coated Ridge Strap Kit w/Hook - 1" x 24" [Includes 2; 3]
	1123806	Stainless Ridge Strap Hardware Kit - 1" [Includes 2 of 6, 8, 9 & 10; 4 of 7]
1	1120300	Stainless Ratchet w/1" Ridge Strap
2	1118509	Buckle Weldment
3	1118520	Ridge Strap w/Hook - 1" x 10'
	1118512	Powder-Coated Ridge Strap w/Hook - 1" x 10'
	1120298	Stainless Ridge Strap w/Hook - 1" x 10'
	1118522	Ridge Strap w/Hook - 1" x 14'
	1118514	Powder-Coated Ridge Strap w/Hook - 1" x 14'
	1120299	Stainless Ridge Strap w/Hook - 1" x 14'
	1121406	Ridge Strap w/Hook - 1" x 18'
	1118516	Powder-Coated Ridge Strap w/Hook - 1" x 18'
	1121408	Stainless Ridge Strap w/Hook - 1" x 18'
	1118524	Ridge Strap w/Hook - 1" x 24'
	1118518	Powder-Coated Ridge Strap w/Hook - 1" x 24'
	1121410	Stainless Ridge Strap w/Hook - 1" x 24'
4	1117585	Stainless Ratchet w/1" Ridge Strap/Anchor
5	1117493	Stainless Ridge Strap w/Anchor - 1" x 41"
	1117494	Stainless Ridge Strap w/Anchor - 1" x 48"
	1116887	Stainless Ridge Strap w/Anchor - 1" x 56"
6	1703579	Stainless Hex Head Cap Screw - 3/8" x 1"
7	1703577	Stainless Flat Washer - 3/8"
8	1110683	Anchor Bushing - 3/8"
9	1703576	Stainless Lock Washer - 3/8"
10	1200999	Stainless Hex Nut - 3/8"



ROLL TUBE DEFLECTORS

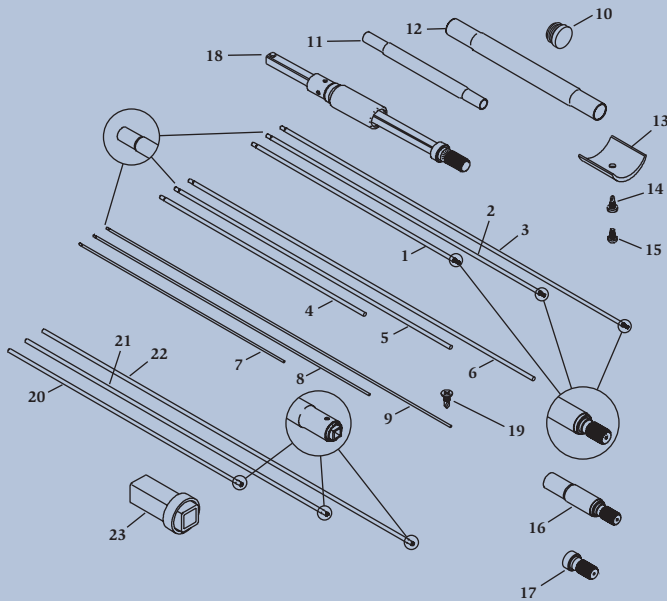
ITEM	PART #	DESCRIPTION
	1117513	Molded Roll Tube Deflector - Gray [Includes 1; 2 of 2]
	1114579	Molded Roll Tube 2-Deflector Kit - Gray [Includes 2 of 1; 4 of 2]
	1117514	Molded Roll Tube Deflector Kit - Black [Includes 1; 2 of 2]
	1114659	Molded Roll Tube 2-Deflector Kit - Black [Includes 2 of 1; 4 of 2]
1	1112029	Molded Roll Tube Deflector - Gray - 17-1/4"
	1114658	Molded Roll Tube Deflector - Black - 17-1/4"
2	1701059	Self-Tapping Screw - 5/16" x 1"





TARP CORDS

ITEM	PART #	DESCRIPTION
	1121916	Shur-Lok® Tarp Cord Kit - GT (8' to 8'6") - 1 Cord [Includes 1; 2 of 2 & 3]
	1704962	Shur-Lok® Tarp Cord Kit - GT (8' to 8'6") - 2 Cords [Includes 2 of 1; 4 of 2 & 3]
	1123335	Shur-Lok® Tarp Cord - GT (8' to 8'6") - 3 Cords [Includes 3 of 1; 6 of 2 & 3]
	1123147	Shur-Lok® Tarp Cord - GC (8'7" to 10') - 2 Cords [Includes 2 of 1; 4 of 2 & 3]
	1123148	Shur-Lok® Tarp Cord - GC (10'1" to 12'6") - 2 Cords [Includes 2 of 1; 4 of 2 & 3]
	1123149	Shur-Lok® Tarp Cord - GC (12'7" to 15') - 2 Cords [Includes 2 of 1; 4 of 2 & 3]
1	1704981	Shur-Lok® Tarp Cord Kit - GT (8' to 8'6")
	1705156	Shur-Lok® Tarp Cord - GC (8'7" to 10')
	1705157	Shur-Lok® Tarp Cord - GC (10'1" to 12'6")
	1705158	Shur-Lok® Tarp Cord - GC (12'7" to 15')
2	1700400	Self-Tapping Screw - 3/8" x 1"
3	1704371	Hex Flange Nut - 3/8"



TARP TUBES

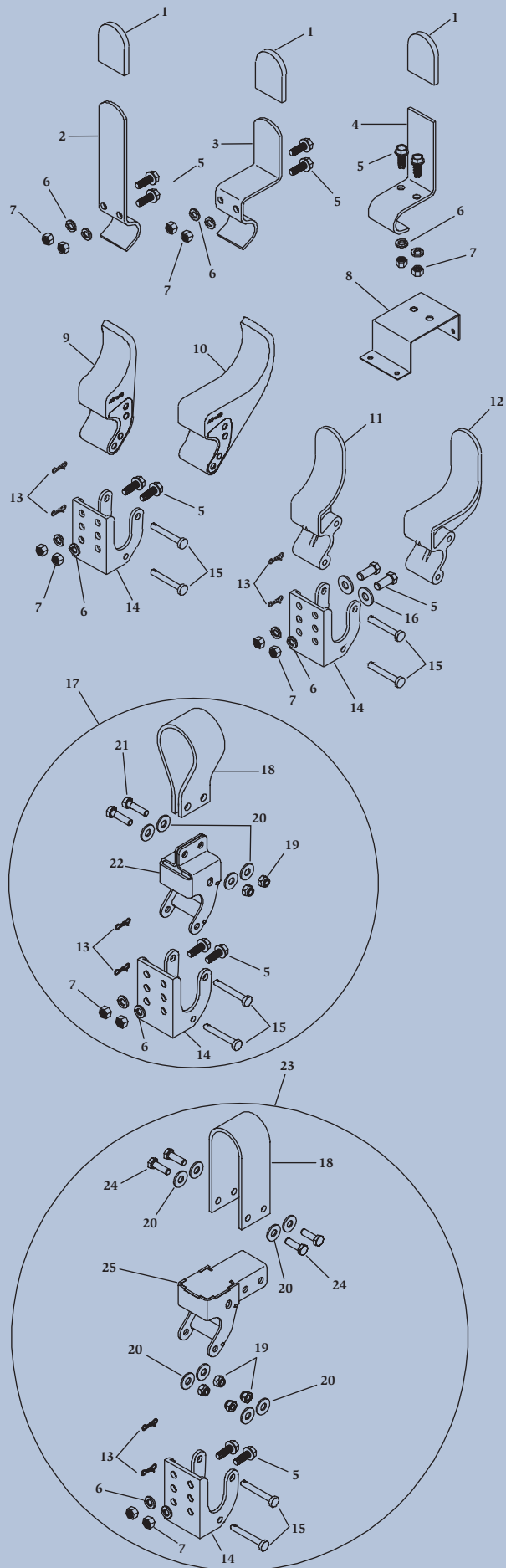
ITEM	PART #	DESCRIPTION
Use w/SHUR-LOK® ROLL TARPS		
	1115966	U-Clamp Replacement Kit [Includes 3 of 13 & 14]
	1118643	U-Clamp Replacement Kit [Includes 8 of 13 & 14]
	1118644	U-Clamp Replacement Kit [Includes 10 of 13 & 14]
	1118663	U-Clamp Replacement Kit [Includes 14 of 13 & 14]
1	1107057	Roll Tube w/Spline - 2" x 16'
2	1107058	Roll Tube w/Spline - 2" x 20'
3	1107059	Roll Tube w/Spline - 2" x 24'
4	1700048	Roll Tube - 2" x 16'
5	1700046	Roll Tube - 2" x 20'
6	1701427	Roll Tube - 2" x 24'
7	1700051	Fixed Tube - 1-1/8" x 16'
8	1700049	Fixed Tube - 1-1/8" x 20'
9	1701428	Fixed Tube - 1-1/8" x 24'
10	1700523	Plastic End Plug
11	1107077	Fixed Tube Swaged Connector
12	1107076	Roll Tube Swaged Connector
13	1701354	Plastic U-Clamp
14	1700398	Self-Drilling Screw - 1/4" x 3/4"
15	1700736	Self-Tapping Screw* - 1/4" x 1/2"
16	1107260	Spline Shaft Replacement - 2" x 9"
	1117670	Spline Shaft Replacement - 2" x 13"
	1120107	Spline Shaft Replacement - 2" x 21"
17	1701244	Spline Shaft w/out Connector Tube
18	1703588	Cast Housing Wil-Slip™ Joint**
19	1704768	Flat-Headed Self-Drilling Screw - 1/4" x 3/4"
Use w/BELT 'N RATCHET TARPS		
20	1105132	Roll Tube w/Square Key - 2" x 16'
21	1105131	Roll Tube w/Square Key - 2" x 20'
22	1105124	Roll Tube w/Square Key - 2" x 24'
23	1105033	Roll Tube Square Key Replacement

*For use with Shur-Return™, see page 48.

**For use with 26" Wil-Slip™ caps, see page 45.

TARP STOPS

ITEM	PART #	DESCRIPTION
TARP STOPS w/MOUNTING HARDWARE		
1111092		Standard Tarp Stop w/Mounting Hardware [Includes 1; 2; 2 of 5, 6 & 7]
1111093		Offset Tarp Stop w/Mounting Hardware [Includes 1; 3; 2 of 5, 6 & 7]
1111096		Recessed Tarp Stop w/Mounting Hardware [Includes 1; 4; 2 of 5, 6 & 7]
1111094		Easy-Off Aluminum (Cast) Tarp Stop w/Mounting Hardware [Includes 11; 14; 2 of 5, 6, 7, 13 & 15]
1122798		Powder-Coated Easy-Off Aluminum (Cast) Tarp Stop w/Mounting Hardware [Includes 11; 14; 2 of 5, 6, 7, 13 & 15]
1111095		Easy-Off Aluminum (Cast) 6" Offset Tarp Stop w/Hardware [Includes 12; 14; 2 of 5, 6, 7, 13 & 15]
1114047		Easy-Off Flexible Tarp Stop w/Mounting Hardware [Includes 9; 14; 2 of 5, 6, 7, 13 & 15]
1114388		Easy-Off Flexible 6" Offset Tarp Stop w/Mounting Hardware [Includes 10; 14; 2 of 5, 6, 7, 13 & 15]
1122278		Easy-Off Belt-Flex Tarp Stop w/Mounting Hardware [Includes 14; 18; 22; 2 of 5, 6, 7, 13, 15, 19 & 21; 4 of 20]
1123798		Easy-Off Belt-Flex 6" Offset Tarp Stop w/Mounting Hardware [Includes 14; 18; 25; 2 of 5, 6, 7, 13 & 15; 4 of 19 & 24; 8 of 20]
EASY-OFF TARP STOPS w/PINS & BRACKETS		
1101407		Easy-Off Aluminum (Cast) Tarp Stop [Includes 11; 14; 2 of 13 & 15]
1105169		Easy-Off Aluminum (Cast) 6" Offset Tarp Stop [Includes 12; 14; 2 of 13 & 15]
1114017		Easy-Off Flexible Tarp Stop [Includes 9; 14; 2 of 13 & 15]
1114515		Easy-Off Flexible 6" Offset Tarp Stop [Includes 10; 14; 2 of 13 & 15]
1122867		Easy-Off Belt-Flex Tarp Stop [Includes 14; 18; 22; 2 of 13, 15, 19 & 21; 4 of 20]
1123799		Easy-Off Belt-Flex 6" Offset Tarp Stop [Includes 14; 18; 25; 2 of 13 & 15; 4 of 19 & 24; 8 of 20]
1118389		Bowtie Cotter Pin/Ring Assy [Includes 2 of 13 & 15]
1	1700729	Protective Cap
2	1100049	Standard Tarp Stop
3	1100392	Offset Tarp Stop
4	1105163	Recessed Tarp Stop
5	1700400	Self-Tapping Screw - 3/8" x 1"
6	1703579	Stainless Hex Head Cap Screw - 3/8" x 1"
7	1700434	Lock Washer - 3/8"
8	1703576	Stainless Lock Washer - 3/8"
9	1700407	Hex Nut - 3/8"
10	1200999	Stainless Hex Nut - 3/8"
11	1100814	Tarp Stop Bracket
12	1115216	Easy-Off Flexible Tarp Stop Upright w/Embedded Safety Plate
13	1115217	Easy-Off Flexible 6" Offset Tarp Stop Upright w/Embedded Safety Plate
14	1100834	Easy-Off Aluminum (Cast) Tarp Stop Upright
15	1118270	Powder-Coated EO Alum. (Cast) Tarp Stop Upright
16	1105168	Easy-Off Alum. (Cast) 6" Offset Tarp Stop Upright
17	1704380	Bowtie Cotter Pin - 1-3/8"
18	1100833	Easy-Off Tarp Stop Body
19	1116975	Stainless Easy-Off Tarp Stop Body
20	1703604	Clevis Pin - 5/16" x 2-7/8"
21	1703577	Stainless Flat Washer - 3/8"
22	1122260	Easy-Off Belt-Flex Tarp Stop Upright
23	1122237	Rubber Belting - .20" x 2" x 12"
24	1700419	Nylon Lock Hex Nut - 5/16"
25	1700428	Flat Washer - 5/16"
26	1701208	Hex Head Cap Screw - 5/16" x 1-1/4"
27	1122259	Tarp Stop Upright Bracket
28	1123455	Easy-Off Belt-Flex 6" Offset Tarp Stop Upright
29	1704416	Hex Head Cap Screw - 5/16" x 1"
30	1123454	Tarp Stop Upright Bracket - Offset



THE PRODUCT THAT CHANGED AN INDUSTRY

4



THE FIRST ROLL TARP ON THE MARKET

Before the Shur-Lok[®], tarping farm trucks meant using fitted tarps held by ropes that ran through D-rings or bungees clipped to box hooks on the rub rail. Every time the tarp was put on or taken off, these had to be tied or untied, hooked or unhooked.

Development of the Shur-Lok[®] began in the fall of 1978 at the Wahpeton Canvas Company of Wahpeton, ND. It was the brainchild of engineer Jerry Dimmer and WCCO founder Ed Shorma's son William.

Bringing the Shur-Lok[®] to market was a multi-step process. First, a universal design for end caps that would work on any truck box was needed. Next, a roll tube was inserted into a pocket on the fixed side of the tarp to hold it to the box, with brackets that acted as tarp stops. A larger tube in a pocket on the other side rolled the tarp. A steel plate running the length of the box, dubbed the latchplate, gave the roll tube something to push against. This tightened the tarp as it rolled, with a universal joint to relieve tension at the point of contact.

Once completed, the Shur-Lok[®] made one-person operation simple. The tarp was opened by removing the crank from a retaining bracket and cranking the system toward the tarp stops. When the tarp rolled closed, the tube and tarp would snug up under the latchplate and lock into place when the crank was returned to the retaining bracket.

In 1992, the company (renamed Shur-Co[®] to better identify with its most famous product) relocated to Yankton, SD to be closer to its core market of grain trailer manufacturers.



THE ORIGINAL SHUR-LOK® ROLL TARP



OVER 30 YEARS LATER – STILL THE BEST!

Today's Shur-Lok® remains remarkably faithful to the original. In addition to farm bodies, it has been adapted for grain trailers, grain carts, end dumps, fertilizer tenders and spreaders. A super-economical version for small grain wagons, the Shur-Lok® Junior, has caps built right into the tarp, with 4-position tension adjustment.

Efficiencies have been factored into the Shur-Lok® along the way; the gauge of steel has been increased on the crank extensions and to reinforce the U-joint. The steel parts, originally put through a dip tank and paint booth, are now plated for exceptional corrosion protection, and aluminum and stainless steel components are also available.

High-speed computer numeric control (CNC) technology has streamlined the manufacturing process. The first Shur-Lok® tarps were painstakingly tape measured and hand cut, with sew lines drawn by hand. Now, tarps are precision cut to pattern for consistency, lower cost and shorter lead times.

These product improvements and process enhancements have allowed Shur-Co® to remain the industry leader. Our tarping systems are unmatched in materials, workmanship and reliability. Our slogan, "When you need to be sure, make it Shur-Co®," is an honest statement of fact, and we say it with complete confidence in our products. Shur-Co® has been field tested and farmer approved for over 50 years.



THE 'SHUR' WAY TO PROTECT THE HARVEST

6



SHUR-LOK® FOR GRAIN CARTS AND WAGONS

Shur-Lok® is the heavy-duty workhorse that will outperform your expectations. It offers dependable protection from the elements and superior workmanship that will stand the test of time. Standard features will do the job for you – and do it well, but if you like to customize, we have an outstanding selection of options and upgrades.

Our adaptable hardware lets you position the crank arm in the most efficient spot. The stand-offs come in 3-inch, 7-inch and 11-inch sizes while J-hooks are available in regular, pinless and offset-with-pin retainers. An upgrade to our pinless offset retainer will eliminate any pin-and-cable hassles and can be secured on either side of the cart. We also offer a universal crank retainer support kit to accommodate non-vertical configurations.

Ridge straps are made of stretch-resistant high-tensile webbing to keep the tarp from sagging between bows. We recommend dual straps for offset placement, a larger center opening and a clear flow for loading to reduce grain splatter.

For extra-wide carts with tip-top extensions, we suggest flat caps and trussed teardrop bows. The caps help shed water better while the teardrop bows facilitate tightening of the tarp. Trusses offer additional support for wide bows, where flat areas are susceptible to bending.

Key Features: Aluminum Latchplate, Recessed Tarp Stops, Galvanized Bows/Brackets, Galvanized End Caps, 1" Ridge Strap (Carts Over 8' 6" Get 2), Stretch Cord Return, Long Crank Arm w/80" Extension, Pinless Crank Retainer w/7" Standoff, Universal Retainer Support Kit, 18-Oz. Vinyl Tarp.



OPTIONS AND UPGRADES

LATCHPLATES	
Aluminum Latchplate	Standard
Galvanized Steel Latchplate	N/C
TARP STOPS	
Recessed Tarp Stops	Standard
Easy-Off Tarp Stop	+
Flexible Easy-Off Tarp Stop	+
6" Offset Easy-Off Tarp Stop	+
6" Offset Flexible Easy-Off Tarp Stop	+
Standard Tarp Stop	-
3" Offset Tarp Stop	-
BOWS/BRACKETS	
Galvanized Steel (LR/HR) Bows/Brackets (102" or Less)	Standard
Galvanized Steel (HR/Flat) Bows/Brackets (103" or More)	Standard
Additional Galvanized Steel (LR/HR) Bow (102" or Less)	+
Additional Galvanized Steel (HR) Bow (103" or More)	+
Additional Galvanized Steel (Flat) Bow (103" or More)	+
Adjustable Bow Bracket	+
END CAPS	
Galvanized Steel (LR/HR) End Cap (102" or Less)	Standard
Galvanized Steel (HR/Flat) End Cap (103" or More)	Standard
Fabric End Cap (102" or Less)	+
Fabric End Cap (103" or More)	+
Aluminum (LR/HR) End Cap (102" or Less)	+
RIDGE SUPPORTS	
1" Ridge Strap – Over 8'6" Gets 2	Standard
2" Ridge Strap	N/C
Additional 1" or 2" Ridge Strap (Up to 39')	+
No Ridge Strap	-
ROLL RETURNS	
Stretch Cord Return	Standard
Shur-Return™ (102" or Less)	+
Front Cable Return	+
CRANK ARMS	
Long Crank Arm (60") w/80" Extension	Standard
Standard Crank Arm (26-3/4") w/80" Extension	-
Standard Crank Arm (26-3/4") w/96" Extension	N/C
RETAINERS	
Pinless w/7" Standoff w/Univ. Retainer Support Kit	Standard
Pinless Crank Retainer w/2" Standoff	N/C
Standard Crank Retainer w/2" Standoff	N/C
Standard Crank Retainer w/7" Standoff	N/C
No Universal Crank Retainer Support Kit	-
TARP OPTIONS	
18-Oz. Vinyl Tarp – Choice of Color	Standard
Multicolored Fabric	+
Tarp Reinforcements	+
ACCESSORIES	
Shur-Lok® Tarp Cord Kit - (8'7" to 15') - 2 Cords	+
Rear Cable Return	+
X-Wide Rear Cable Return	+
Standard Bow Cover	+
X-Wide Bow Cover	+
Molded Roll Tube Deflectors (2)	+

RECOMMENDED HARDWARE QUANTITIES

102" or Less	TARP STOPS	U-CLAMPS	STANDARD BOWS
6' to 9'	2	6	2
10' to 14'	3	8	2
15' to 18'	3	8	3
19' to 22'	4	10	4
23' to 26'	4	10	5
27' to 30'	5	10	6
103" or Greater	TARP STOP	U-CLAMPS	X-WIDE BOWS
6' to 9'	2	6	2
10' to 11'	3	8	2
12' to 15'	3	8	3
16' to 18'	3	10	4
19'	4	10	4
20' to 23'	4	10	5
24' to 26'	4	10	6
27'	5	10	6
28' to 30'	5	10	7

In the chart at left, features that come standard are indicated, but you can also see what options and upgrades are available for this application in each category.

The plus sign (+) indicates that it would be an additional cost, a minus sign (-) lets you know it would cost less than standard and an N/C indicates no difference in price.

Recommended hardware quantities are noted in the chart below left.

ALUMINUM LATCHPLATE



RECESSED TARP STOP



GALVANIZED BOW/BRACKET



GALVANIZED END CAP



1" RIDGE STRAP



STRETCH CORD RETURN



LONG CRANK ARM



PINLESS CRANK RETAINER



MADE TO FIT MOST MAKES AND MODELS

8



SHUR-LOK® FOR FARM BODIES

From older trucks to the latest models, Shur-Lok® can protect whatever you haul! Our standard features fit most applications, but plenty of options are available – like a high-lift end gate kit, designed for use with high-lift end gates wider than the box.

As noted above, the high-lift kit option is a bolt-on offset adjustable bracket that allows the latchplate and tarp stop to be spaced out flush with the width of the endgate. It's just one of many accommodating options offered. For example, galvanized steel end caps come standard – both low-rise and high-rise styles – but an upgrade to aluminum easy-off caps offers easier installation and removal. These anchor with over-center clamps inside the truck box. We also offer standard aluminum caps.

The standard crank arm mounts vertically across the back of the box and gives four-position length adjustment. The U-joint has a 21-tooth splined key to adjust the tarp tension every 17 degrees. Upgrading to the Shur-Flex™ crank provides necessary flexibility for cargo doors or grain gates. It folds at the knuckle and secures to the side of the box with offset retainers.

Our standard stretch cord return guides the roll tube over the end cap, with a protective cover to reduce rope fraying. An upgrade to our patented Shur-Return™ features a heavy-duty steel tension spring, 1/4-inch non-stretch solid braid rope and lifetime warranty.

Key Features: Aluminum Latchplate, Easy-Off Tarp Stops, Galvanized Bows/Brackets, Aluminum End Caps, 1" Ridge Strap w/Ratchet, Stretch Cord Return, Standard Crank Arm w/80" Extension, Pinless Crank Retainer w/7" Standoff, 18-Oz. Vinyl Tarp.



OPTIONS AND UPGRADES

LATCHPLATES	
Aluminum Latchplate	Standard
Galvanized Steel Latchplate	N/C
TARP STOPS	
Easy-Off Tarp Stops	Standard
Standard Tarp Stop	-
Flexible Easy-Off Tarp Stop	+
6" Offset Easy-Off Tarp Stop	+
6" Offset Flexible Easy-Off Tarp Stop	+
BOWS/BRACKETS	
Galvanized Steel (LR/HR) Bows/Brackets	Standard
Additional Galvanized Steel (LR/HR) Bow	+
No Galvanized Steel (LR/HR) Bow	-
END CAPS	
Aluminum (LR/HR) End Caps	Standard
Easy-Off Aluminum (LR/HR) Rear Cap	+
Galvanized Steel (LR/HR) Rear Cap	-
Fabric (LR/HR) Rear Cap	+
Poorboy Tail	+
No Rear Cap	-
Radius/Diagonal Aluminum (LR/HR) Front Cap	+
Easy-Off Aluminum (LR/HR) Front Cap	+
Galvanized Steel (LR/HR) Front Cap	-
Aluminum (LR) Universal Front Cap	+
Fabric (LR/HR) Front Cap	+
No Front Cap	-
RIDGE SUPPORTS	
1" Ridge Strap	Standard
2" Ridge Strap (25')	N/C
Additional 1" or 2" Ridge Strap (25')	+
No Ridge Strap	-
ROLL RETURNS	
Stretch Cord Return	Standard
Shur-Return™	+
Front Cable Return	+
CRANK ARMS	
Standard Crank Arm (26-3/4") w/80" Extension	Standard
Standard Crank Arm (26-3/4") w/96" Extension	+
Long Crank Arm (60") w/80" Extension	+
40" Shur-Flex™ Crank Arm w/Offset Retainer (4)	+
40" Shur-Flex™ Crank w/Offset Pinless Retainer (4)	+
54" Shur-Flex™ Crank Arm w/Offset Retainer (4)	+
54" Shur-Flex™ Crank w/Offset Pinless Retainer (4)	+
RETAINERS	
Pinless Crank Retainer w/7" Standoff	Standard
Standard Crank Retainer w/7" Standoff	N/C
Offset Crank Retainers (2)	N/C
Offset Pinless Crank Retainers (2)	+
Additional Crank Retainer w/Standoff	+
TARP OPTIONS	
18-Oz. Vinyl Tarp – Choice of Color	Standard
Value Series 18-Oz. Tarp – Black, Royal Blue or White	-
22-Oz. Vinyl Tarp – Choice of Color	+
Multicolored Fabric	+
Tarp Reinforcements	+
ACCESSORIES	
Shur-Lok® Tarp Cord Kit (8' to 8'6") - 2 Cords	+
Rear Cable Return	+
Standard Bow Cover	+
Molded Roll Tube Deflectors (2)	+

RECOMMENDED HARDWARE QUANTITIES

SIZE	TARP STOPS	U-CLAMPS	STANDARD BOWS
10' to 14'	3	8	2
15' to 18'	3	8	3
19' to 22'	4	10	4
23' to 24'	4	10	5

In the chart at left, features that come standard are indicated, but you can also see what options and upgrades are available for this application in each category.

The plus sign (+) indicates that it would be an additional cost, a minus sign (-) lets you know it would cost less than standard and an N/C indicates no difference in price.

Recommended hardware quantities are noted in the chart below left.

ALUMINUM LATCHPLATE



EASY-OFF TARP STOP



GALVANIZED BOW/BRACKET



ALUMINUM END CAP



1" RIDGE STRAP



STRETCH CORD RETURN



STANDARD CRANK ARM



PINLESS CRANK RETAINER



WATERPROOF PROTECTION KEEPS LOADS DRY

10



SHUR-LOK® FOR TENDERS AND SPREADERS

Whatever you're hauling, from seed to blended fertilizer to micronutrients, it's critical that contents stay dry. Shur-Lok® is water resistant, durable and easy to open and close. Stainless steel and powder-coated components provide lasting corrosion resistance.

Our stainless steel and powder-coated parts come standard, designed to protect against the corrosive effects inherent in hauling caustic substances like fertilizer. Stainless bows and brackets, end caps, ridge straps and crank retainers offer improved performance, longer life and a sharper appearance. Even the standard-issue easy-off tarp stop features a corrosion-resistant stainless stop body, plus powder coating for lasting durability.

Key Features: Aluminum Latchplate, Powder-Coated Easy-Off Tarp Stops w/Stainless Stop Bodies, Stainless Bows/Brackets, Stainless End Caps, Stainless 1" Ridge Strap w/ Ratchet, Stretch Cord Return, Standard Crank Arm w/80" Extension, Stainless Pinless Crank Retainer w/7" Standoff, 18-Oz. Vinyl Tarp.



OPTIONS AND UPGRADES

LATCHPLATES	
Aluminum Latchplate	Standard
Galvanized Steel Latchplate	N/C
TARP STOPS	
Powder-Coated Easy-Off w/Stainless Stop Body	Standard
Easy-Off Tarp Stop	-
Standard Tarp Stop	-
BOWS/BRACKETS	
Stainless Steel (LR/HR) Bows - Top Mount – Standard 102" or Less	
Stainless Steel (HR) Bows - Top Mount – Standard for 120"	
Stainless Steel (LR/HR) Bows/Brackets (102" or Less)	+
Stainless Steel (HR) Bows/Brackets (120")	-
Galvanized Steel (LR/HR) Bows/Brackets (102" or Less)	+
Galvanized Steel (LR/HR) Bows/Brackets (120")	-
No Stainless Steel (LR/HR) Bows/Brackets (102" or Less)	-
No Stainless Steel (LR/HR) Bows/Brackets (120")	-
END CAPS	
Stainless (LR/HR) End Caps – Standard 102" or Less	
Stainless (HR) End Caps – Standard for 120"	
Aluminum (LR/HR) End Caps (102" or Less)	-
Aluminum (HR) End Caps (120")	-
Galvanized Steel (LR/HR) End Caps (102" or Less)	-
Galvanized Steel (HR) End Caps (120")	-
No Stainless Steel (LR/HR) End Caps (102" or Less)	-
No Stainless Steel (LR/HR) End Caps (120")	-
RIDGE SUPPORTS	
Stainless Steel 1" Ridge Strap	Standard
1" Ridge Strap w/Powder-Coated Components	-
1" Ridge Strap	-
Additional Stainless Steel 1" Ridge Strap (Up to 24')	+
Additional 1" Ridge Strap w/Powder-Coated Comp. (Up to 24')	+
Additional 1" Ridge Strap (25')	+
No Stainless Steel Ridge Strap	-
ROLL RETURNS	
Stretch Cord Return	Standard
Shur-Return™	+
Front Cable Return	+
CRANK ARMS	
Standard Crank Arm (26-3/4") w/80" Extension	Standard
Standard Crank Arm (26-3/4") w/33" Extension	-
Standard Crank Arm (26-3/4") w/96" Extension	+
Long Crank Arm (60") w/80" Extension	+
RETAINERS	
Stainless Steel Pinless Crank Retainer w/7" Standoff	Standard
Pinless Crank Retainer w/7" Standoff	-
Standard Crank Retainer w/7" Standoff	-
Additional Stainless Crank Retainer w/Standoff	+
Additional Crank Retainer w/Standoff	+
TARP OPTIONS	
18-Oz. Vinyl Tarp – Choice of Color	Standard
Value Series 18-Oz. Tarp – Black, Royal Blue or White	-
Multicolored Fabric	+
Tarp Reinforcements	+
ACCESSORIES	
Rear Cable Return	+
X-Wide Rear Cable Return	+
Standard Bow Cover	+
Molded Roll Tube Deflectors (2)	+

RECOMMENDED HARDWARE QUANTITIES

SIZE	TARP STOPS	U-CLAMPS	STANDARD BOWS
10' to 14'	3	8	2
15' to 18'	3	8	3
19' to 22'	4	10	4
23' to 24'	4	10	5

In the chart at left, features that come standard are indicated, but you can also see what options and upgrades are available for this application in each category.

The plus sign (+) indicates that it would be an additional cost, a minus sign (-) lets you know it would cost less than standard and an N/C indicates no difference in price.

Recommended hardware quantities are noted in the chart below left.

ALUMINUM LATCHPLATE



POWDER-COATED TARP STOP



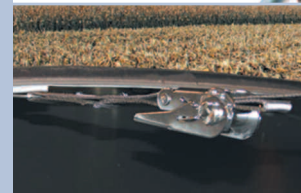
STAINLESS BOW/BRACKET



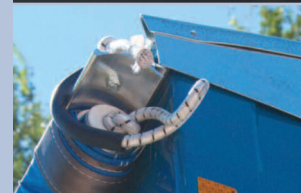
STAINLESS END CAP



STAINLESS 1" RIDGE STRAP



STRETCH CORD RETURN



STANDARD CRANK ARM



STAINLESS PINLESS CRANK RETAINER



IMPROVES YOUR SAFETY OF OPERATION

12



SHUR-LOK® FOR GRAIN TRAILERS

With proper tension, the tarp stays tight no matter your length of trailer. The standard crank is direct drive 1:1 and lets you roll the tarp standing safely on the ground. An upgrade to electric is available, as are more SMARTrailer™ options on the following pages.

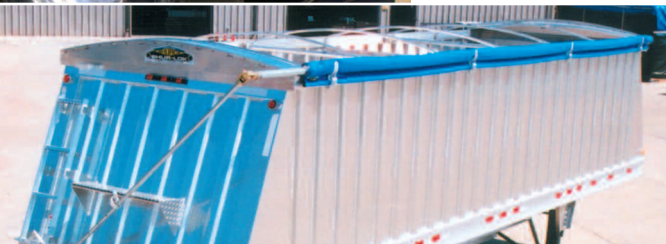
Our standard easy-off tarp stops enable fast, easy tarp removal. An upgrade from our standard stretch cord return to our cable return features a non-stretch cable with a heavy-duty internal tension spring-and-pulley system.

The patented design of our Wil-Slip™ joint pull-out crank assembly allows the crank arm and U-joint to slide forward, bypassing hinges and clearing rear doors. This upgrade, ideal for open-top vans, Convertahoppers, belted floor trailers and “barn door” trailers, uses deeper caps that, if aluminum, are made of a heavier alloy. All require a cap depth of 26 inches.



Shur-Co® offers a wide variety of tarp fabric choices. This year, we are pleased to introduce DiamondCore™, a premium fabric that provides added substance, increased endurance and unparalleled abrasion resistance. Unlike diamonds, no tarp lasts forever, but upgrading to DiamondCore™ offers you rock-solid quality backed by a 24-month warranty – the best in the industry. It is currently only available in black.

Key Features: Aluminum Latchplate, Easy-Off Tarp Stops, Galvanized Bows/Brackets, Aluminum End Caps, 1" or 2" Ridge Strap w/Ratchet, Stretch Cord Return, Standard Crank Arm w/80" Extension, Pinless Crank Retainer w/7" Standoff, 18-Oz. Vinyl Tarp.



OPTIONS AND UPGRADES

LATCHPLATES	
Aluminum Latchplate	Standard
Galvanized Steel Latchplate	N/C
TARP STOPS	
Easy-Off Tarp Stops	Standard
Standard Tarp Stop	-
Flexible Easy-Off Tarp Stop	+
6" Offset Easy-Off Tarp Stop	+
6" Offset Flexible Easy-Off Tarp Stop	+
BOWS/BRACKETS	
Galvanized Steel (LR/HR) Bows/Brackets	Standard on Complete Kit
Additional Galvanized Steel (LR/HR) Bows/Brackets	+
END CAPS	
Aluminum Caps (LR/HR) w/Radius Corner Front Cap	Standard
Easy-Off Aluminum (LR/HR) Rear Cap	+
Galvanized Steel (LR/HR) Rear Cap	-
Fabric (LR/HR) Rear Cap	+
Poorboy Tail	+
Wil-Slip™ (LR) Back Cap w/Wil-Slip™ Joint	+
No Rear Cap	-
Fixed Aluminum Square (LR/HR) Front Cap	-
Easy-Off Aluminum (LR/HR) Front Cap	+
Galvanized Steel (LR/HR) Front Cap	-
Aluminum (LR) Universal Front Cap	+
Fabric (LR/HR) Front Cap	+
No Front Cap	-
RIDGE SUPPORTS	
1" or 2" Ridge Strap	Standard on Complete Kit
1" Stainless Ridge Strap	+
Additional 1" or 2" Ridge Strap (Up to 56')	+
Additional Stainless 1" or 2" Ridge Strap (Up to 56')	+
ROLL RETURNS	
Stretch Cord Return	Standard
Shur-Return™	+
Front Cable Return	+
CRANK ARMS	
Standard Crank Arm (26-3/4") w/80" Extension	Standard
Standard Crank Arm (26-3/4") w/33" Extension	-
Standard Crank Arm (26-3/4") w/96" Extension	+
Long Crank Arm (60") w/80" Extension	+
40" Shur-Flex™ Crank Arm w/Retainer (4)	+
40" Shur-Flex™ Crank w/Offset Pinless Retainer (4)	+
54" Shur-Flex™ Crank Arm w/Retainer (4)	+
54" Shur-Flex™ Crank w/Offset Pinless Retainer (4)	+
RETAINERS	
Pinless Crank Retainer w/7" Standoff	Standard
Crank Retainer w/7" Standoff	N/C
Offset Crank Retainer (2)	N/C
Pinless Offset Crank Retainer (2)	+
Additional Crank Retainer w/Standoff	+
TARP OPTIONS	
18-Oz. Vinyl Tarp – Choice of Color	Standard
Value Series 18-Oz. Tarp – Black, Royal Blue or White	-
DiamondCore™ Tarp – Black Only	+
22-Oz. Vinyl Tarp – Choice of Color	+
Multicolored Fabric	+
Active Decontamination Flap/Load Hole Flap	+
Bow Reinforcements (10")/Tarp Reinforcements	+
ACCESSORIES	
Shur-Lok® Tarp Cord Kit (8' to 8'6") - 2 or 3 Cords	+
Rear Cable Return	+
Standard Bow Cover	+
Molded Roll Tube Deflectors (2)	+

RECOMMENDED HARDWARE QUANTITIES

SIZE	TARP STOPS	U-CLAMPS	STANDARD BOWS
25' to 26'	4	10	5
27' to 30'	5	10	6
31' to 34'	5	10	7
35' to 38'	6	14	8
39' to 43'	6	14	9
44' to 46'	7	16	10
47' to 50'	7	16	11
51' to 54'	8	18	12

In the chart at left, features that come standard are indicated, but you can also see what options and upgrades are available for this application in each category.

The plus sign (+) indicates that it would be an additional cost, a minus sign (-) lets you know it would cost less than standard and an N/C indicates no difference in price.

Recommended hardware quantities are noted in the chart below left.

ALUMINUM LATCHPLATE



EASY-OFF TARP STOP



GALVANIZED BOW/BRACKET



ALUMINUM END CAP



1" RIDGE STRAP



STRETCH CORD RETURN



STANDARD CRANK ARM



PINLESS CRANK RETAINER



BUILT SOLID TO GROW YOUR PROFIT MARGINS

14



SHUR-LOK® FOR END DUMPS

Shur-Lok® provides you with water-resistant dependability, for increased productivity and less downtime, because more loads mean more profit. A variety of options and upgrades help you customize your trailer to meet your individual hauling needs.

The Shur-Flex™ crank provides convenient flexibility. It folds at the knuckle and secures with offset or pinless offset retainers – no more pin-and-cable hassles.

The front fabric cap makes it easy to come over the top of the doghouse. Double bows secure in a double bow bracket – exactly the right spacing for tightening down the front of the tarp.

A front stretch roll return guides the roll tarp over the end cap, with a protective cover to reduce rope fraying. Reinforced stitching along the radius corner of the front fabric cap increases tear strength and helps the tarp withstand the stress of highway speeds. A rear flap, called a poorboy tail, is also available for extended coverage.

Key Features: Aluminum Latchplate, Easy-Off Tarp Stops, Fabric Front/Rear Caps, Shur-Flex™ Crank Arm, Front Roll Return, Offset Crank Retainers, 22-Oz. Vinyl Tarp. *Galvanized and aluminum bow kits come standard with a 1" ridge strap; heavy-duty and Turning Point™ bow kits have a ridgepole. Durabow™ kits do not come with ridge support. Heavy-duty bow kits have the Shur-Return™; all others come with a stretch cord return.*



OPTIONS AND UPGRADES

LATCHPLATES	
Aluminum Latchplate	Standard
Galvanized Steel Latchplate	N/C
TARP STOPS	
Easy-Off Tarp Stops	Standard
Standard Tarp Stop	-
Flexible Easy-Off Tarp Stop	+
6" Offset Easy-Off Tarp Stop	+
6" Offset Flexible Easy-Off Tarp Stop	+
3" Offset Tarp Stop	-
BOWS/BRACKETS	
Adjustable Galvanized Steel (LR/HR) Bows/Brackets	+
No Galvanized Steel (LR/HR) Bows/Brackets	-
No Heavy-Duty Bows/Brackets	-
No Aluminum Bows/Brackets	-
No Durabow™ Bows/Brackets	-
Aluminum Brackets – For Durabow™ (2)	+
END CAPS	
Fabric (LR/HR) Front/Rear Caps	Standard
Combo Cap	N/C
Poorboy Tail	N/C
No Rear Cap	-
Aluminum (LR) Universal Front Cap	N/C
Poorboy Front/Rear Square Flap	N/C
Poorboy Front Radius/Diagonal Flap	N/C
No Front Cap	-
RIDGE SUPPORTS	
1" Ridge Strap – Standard on Galv. & Alum. Bow Kit	
Rollaway Ridgepole – Standard on HD & TPB Bow Kit	
Additional 1" or 2" Ridge Strap (Up to 56')	+
No Ridge Strap	-
ROLL RETURNS	
Stretch Cord Return	Standard
Shur-Return™ – Standard on HD Bow Kit	+
CRANK ARMS	
54" Shur-Flex™ Crank Arm	Standard
40" Shur-Flex™ Crank Arm w/Retainer	N/C
80" Shur-Flex™ Crank Arm w/Retainer	+
Standard Crank Arm (26-3/4") w/80" Extension	-
Standard Crank Arm (26-3/4") w/96" Extension	-
Long Crank Arm (60") w/80" Extension	-
RETAINERS	
Offset Crank Retainers (4) – Standard w/Shur-Flex™	
Offset Crank Retainers (4) – Standard w/Std. Crank	
Offset Pinless Crank Retainers (4)	+
Offset Pinless Crank Retainers (2)	+
TARP OPTIONS	
22-Oz. Vinyl Tarp – Choice of Color	Standard
Multicolored Fabric	+
Bow Reinforcements (10")	+
Tarp Reinforcements	+
Load Hole Flap	+
ACCESSORIES	
Standard Bow Cover	+
Diamondback Durabow™ Cover	+
Molded Roll Tube Deflectors (2)	+

RECOMMENDED HARDWARE QUANTITIES

SIZE	TARP STOPS	STD BOWS	HD BOWS	TURNING POINT™	DURA-BOW™	ALUM BOWS
24' to 26'	4	5	2	4	5	5
27' to 30'	5	6	2	5	6	6
31' to 34'	5	7	2	5	7	7
35' to 38'	6	8	3	6	8	8
39' to 43'	6	9	3	6	9	9
44' to 46'	7	10	3	7	10	10
47' to 48'	7	11	4	7	11	11

In the chart at left, features that come standard are indicated, but you can also see what options and upgrades are available for this application in each category.

The plus sign (+) indicates that it would be an additional cost, a minus sign (-) lets you know it would cost less than standard and an N/C indicates no difference in price.

Recommended hardware quantities are noted in the chart below left.

ALUMINUM LATCHPLATE



EASY-OFF TARP STOP



FABRIC CAP



1" RIDGE STRAP



ROLLAWAY RIDGEPOLE



STRETCH CORD RETURN



SHUR-RETURN™



SHUR-FLEX™ CRANK ARM



THE MOST AFFORDABLE TARPING AVAILABLE

16



SHUR-LOK® JUNIOR FOR GRAIN WAGONS

The super-economical Shur-Lok® Junior opens and closes the tarp exactly like the Shur-Lok®, but the caps are built right in! One-person operation is fast and easy – you crank the tarp up and over while standing safely on the ground.

A specially designed econo-crank with square key allows for four-position adjustment of the tarp tension. Easy-to-reach straps with bungee cords facilitate quick release and are readily accessible when securing the tarp for windy weather and transport.

Recessed tarp stops wrap the narrow top rails of grain wagons and keep the tarp from rolling off. The plastic protective cap protects the tarp from sharp corners.

Key Features: Galvanized Steel Latchplate, Fabric Caps Formulated into Tarp, Galvanized Steel Bows/Brackets, Recessed Tarp Stops, Crank Arm w/4-Position U-Joint, J-Hook Retainer w/7" Standoff, 1" Ridge Rope, 18-Oz. Vinyl Tarp. *Recommended only for boxes up to 9' wide and 15' long and vehicles not exceeding speeds of 35 mph.*



BEST WAY TO HAUL HEAPED LOADS



PREMIUM BELT 'N RATCHET SYSTEM (PBR)

If you're in the business of transporting light yet bulky materials like wood chips and trash, you'll find a PBR the perfect tarping system. It allows you to heap your loads above the bows and still keep your tarp tight.

Belt 'n ratchet cranks are available in 84-inch and 114-inch lengths. Hold-downs secure the tarp tube for uniform tension. These can be ordered as strap tie-downs in 7-foot or 9-foot lengths or as ratchets with optional quick-release straps.

An improved crank key on the econo-joint offers easy crank installation and removal. You can also order a convenient leave-on option for the crank arm, allowing it to remain attached to the trailer with a wire lock or pin.

Key Features | Farm Body: 5" Belt w/2" Ratchet Hold-Downs, Standard Tarp Stops, Galvanized Steel Bows/Brackets, Aluminum End Caps, 1" Ridge Strap, Rope Return, Square Key Crank Arm, Offset Crank Retainers, 18-Oz. Vinyl Tarp.

Key Features | Grain Trailer: 5" Belt w/2" Ratchet Hold-Downs, Standard Tarp Stops, Galvanized Steel Bows/Brackets, Aluminum Caps w/Radius Corner Front Cap, 1" Ridge Strap, Rope Return, Square Key Crank Arm, Offset Crank Retainers, 18-Oz. Vinyl Tarp.

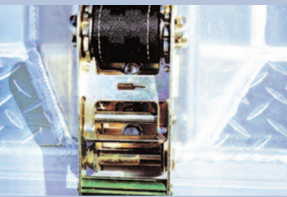
Key Features | End Dump: 5" Belt w/2" Ratchet Hold-Downs, Easy-Off Tarp Stops, Fabric Front/Rear Caps, 1" Ridge Strap (Standard/Aluminum Kits), Rollaway Ridgepole (HD/TPB Kits), Rope Return, Square Key Crank Arm, Offset Crank Retainers, 22-Oz. Vinyl Tarp.



In the chart at right, features that come standard for end dumps are indicated, but you can also see what options and upgrades are available for this application in each category.

The plus sign (+) indicates that it would be an additional cost, a minus sign (-) lets you know it would cost less than standard and an N/C indicates no difference in price.

Recommended hardware quantities are noted in the chart below right.



RATCHET HOLD-DOWN



EASY-OFF TARP STOP



FABRIC CAP



1" RIDGE STRAP



ROLLAWAY RIDGEPOLE



ROPE RETURN



SQUARE KEY CRANK ARM



OFFSET CRANK RETAINER

OPTIONS AND UPGRADES | End Dumps

HOLD-DOWNS	
5" Belt w/2" Ratchet Hold-Downs	Standard
Strap Hold-Down w/Hook	+
Cable Hold-Down	+
TARP STOPS	
Easy-Off Tarp Stops	Standard
Standard Tarp Stop	-
Flexible Easy-Off Tarp Stop	+
6" Offset Easy-Off Tarp Stop	+
6" Offset Flexible Easy-Off Tarp Stop	+
3" Offset Tarp Stop	-
BOWS/BRACKETS	
Adjustable Galvanized Steel (LR/HR) Bows/Brackets	+
No Galvanized Steel (LR/HR) Bows/Brackets	-
No Heavy-Duty Bows/Brackets	-
No Aluminum Bows/Brackets	-
No Durabow™ Bows/Brackets	-
Aluminum Brackets – For Durabow™ (2)	+
END CAPS	
Fabric (LR/HR) Front/Rear Caps	Standard
Combo Cap	N/C
Poorboy Tail	N/C
No Rear Cap	-
Aluminum (LR) Universal Front Cap	N/C
Poorboy Front/Rear Square Flap	N/C
Poorboy Front Radius/Diagonal Flap	N/C
No Front Cap	-
RIDGE SUPPORTS	
1" Ridge Strap – Standard on Std. & Alum. Bow Kits	
Rollaway Ridgepole – Standard on HD & TPB Bow Kits	
Additional 1" or 2" Ridge Strap (Up to 56')	+
No Ridge Strap	-
ROLL RETURNS	
Rope Return	Standard
CRANK ARMS	
Square Key Crank Arm	Standard
Crank Arm Extension	+
Leave-On Crank Option	+
RETAINERS	
Offset Crank Retainers (2)	Standard
Offset Pinless Crank Retainers (2)	+
TARP OPTIONS	
22-Oz. Vinyl Tarp – Choice of Color	Standard
Multicolored Fabric	+
Bow Reinforcements (10")	+
Tarp Reinforcements	+
ACCESSORIES	
Standard Bow Cover	+
Diamondback Durabow™ Cover	+
Molded Roll Tube Deflectors (2)	+

RECOMMENDED HARDWARE QUANTITIES

TARP SIZE	STD STOPS	STD BOWS	HD BOWS	TURNING POINT™	DURA-BOW™	ALUM BOWS	STRAPS/RATCHETS
24' to 26'	4	5	2	4	5	5	4
27' to 30'	5	6	2	5	6	6	5
31' to 34'	5	7	3	5	7	7	5
35' to 38'	6	8	3	6	8	8	6
39' to 43'	6	9	3	6	9	9	6
44' to 46'	7	10	3	7	10	10	7
47' to 48'	7	11	4	7	11	11	7

OPTIONS AND UPGRADES | Farm Bodies-Grain Trailers

HOLD-DOWNS	
5" Belt w/2" Ratchet Hold-Downs	Standard
Strap Hold-Down w/Hook	+
Cable Hold-Down	+
TARP STOPS	
Standard Tarp Stops	Standard
Easy-Off Tarp Stop	+
Flexible Easy-Off Tarp Stop	+
6" Offset Easy-Off Tarp Stop	+
6" Offset Flexible Easy-Off Tarp Stop	+
3" Offset Tarp Stop – For Grain Trailers	+
BOWS/BRACKETS	
Galvanized Steel (LR/HR) Bows/Brackets	Standard
Additional Galvanized Steel (LR/HR) Bows/Brackets	+
No Galvanized Steel Bows/Brackets – For Farm Bodies	-
END CAPS	
Aluminum Caps – Standard on Farm Bodies	
Aluminum Caps w/Radius Corner Front Cap – Standard on GTs	
Easy-Off Aluminum (LR/HR) Rear Cap	+
Galvanized Steel (LR/HR) Rear Cap	-
Fabric (LR/HR) Rear Cap	+
Poorboy Tail	+
No Rear Cap	-
Fixed Aluminum Square (LR/HR) Front Cap – For Grain Trailers	-
Radius/Diagonal Aluminum (LR/HR) Front Cap – For Farm Bodies	+
Easy-Off Aluminum (LR/HR) Front Cap	+
Galvanized Steel (LR/HR) Front Cap	-
Aluminum (LR) Universal Front Cap	+
Fabric (LR/HR) Front Cap	+
No Front Cap	-
RIDGE SUPPORTS	
1" Ridge Strap	Standard
2" Ridge Strap	N/C
Additional 1" or 2" Ridge Strap (Up to 56')	+
No Ridge Strap – For Farm Bodies	-
ROLL RETURNS	
Rope Return	Standard
CRANK ARMS	
Square Key Crank Arm	Standard
Crank Arm Extension	+
Leave-On Crank Option	+
RETAINERS	
Offset Crank Retainers (2)	Standard
Offset Pinless Crank Retainers (2)	+
TARP OPTIONS	
18-Oz. Vinyl Tarp – Choice of Color	Standard
22-Oz. Vinyl Tarp – Choice of Color	+
Multicolored Fabric	+
Active Decontamination Flap – For Grain Trailers	+
Bow Reinforcements (10') – For Grain Trailers	+
Tarp Reinforcements	+
ACCESSORIES	
Standard Bow Cover	+
Molded Roll Tube Deflectors (2)	+

RECOMMENDED HARDWARE QUANTITIES

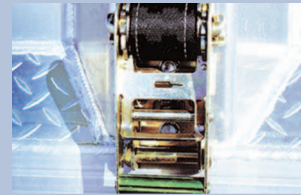
SIZE	TARP STOPS	STANDARD BOWS	U-CLAMPS	STRAPS/RATCHETS
FARM BODIES				
10' to 14'	3	2	6	3
15' to 18'	3	3	6	3
19' to 22'	4	4	8	4
23' to 24'	4	5	8	4
GRAIN TRAILERS				
25' to 26'	3	4	5	5
27' to 30'	4	5	6	5
31' to 34'	4	5	7	5
35' to 38'	5	6	8	6
39' to 43'	5	6	9	6
44' to 46'	6	7	10	7
47' to 54'	6	7	11	7

In the chart at left, features that come standard for farm bodies and grain trailers are indicated, but you can also see what options and upgrades are available for these applications in each category.

The plus sign (+) indicates that it would be an additional cost, a minus sign (-) lets you know it would cost less than standard and an N/C indicates no difference in price.

Recommended hardware quantities are noted in the chart below left.

RATCHET HOLD-DOWN



STANDARD TARP STOP



GALVANIZED BOW/BRACKET



ALUMINUM END CAP



1" RIDGE STRAP



ROPE RETURN



SQUARE KEY CRANK ARM



OFFSET CRANK RETAINER

KEEP TARPS ON TRAILERS IN WINDY WEATHER

20



SHUR-LOK® TARP CORDS

Shur-Lok® Tarp Cords permanently attach to the trailer – bolt 'em on and you're done! Made of nylon tubular webbing, these won't scratch trailers or abrade your tarps.

If wind catches your tarp when you're opening or closing it, these cords help keep the tarp from flipping and taking you with it! They can save you on tarp replacement costs, not to mention insurance claims, increased premiums, lost revenue and downtime.

Dare to compare and see how much better these are built than others on the market. All mounting hardware is included for installation. One cord goes at the 1/4 mark on the trailer and the second at the 3/4 mark. For most applications, one end of the cord goes below the bottom of the tarp, when it is unrolled, on a rivet row between two rivets on the rub rail side of the trailer. Attach it to an exposed rib. The cord then goes over the tarp and the other end bolts into the upper frame or just below on the rivet row between two rivets.

Key Features: High-Strength Bungee Cord, Heavy-Duty Black Nylon Sheath, Heat-Shrunk Tubing Ends, Brass Commercial-Grade Grommets, 3/8" Plated Steel Hex Head Bolts. *2 cords per package.*



BOW COVERS



Standard

Vinyl-coated compound protects bows against wear. Reduces grain splatter.

Diamondback

Designed to protect Durabow™ from pitting. Extends the life of bows and tarp.

BOWS/BRACKETS



Galvanized Steel

Bracket lets the bow flex and allows for box expansion. An extended version is available.



Adjustable

Adjusts bow length without cutting/welding loose shank. Secured with 5/16-inch bolt.



Aluminum

Prevents a chemical reaction that occurs if steel is used on an aluminum trailer



Heavy Duty

Beefed-up bow permits bow spacing up to 12 feet apart. Used with rollaway ridgepole.



Flat

Flattened version of a heavy-duty bow – no-rise design for less loader interference.



Durabow™

Molded resin bow supports tarp but has enough give to be left on during loading.



Stainless Steel

Our universal bow bracket in stainless steel. For durability in corrosive environments.



Turning Point™

Angled bracket allows bow to move freely, swinging up and over loads without binding.

CRANK ARMS



Straight

Provides 4-position length adjustment. Mounts horizontally or vertically. Standard or long.



Shur-Flex™

Pivots on a knuckle and folds for storage. Stores on side to accommodate rear doors.



Square Key

Improved pilot crank key on econo-joint makes for easier crank installation or removal.

CRANK ARM HARDWARE



Standard Retainer

Traditional J-hook makes use of pins and cables to secure crank to trailer.



Pinless Retainer

Secures crank arm to trailer without pins or cables. Safe and easy to use.



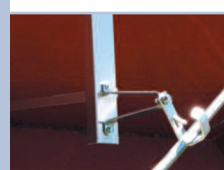
Offset Pinless Retainer

Provides added security, eliminates pin-and-cable hassles. Use on either side of trailer.



Standoffs

Choose from 2-inch, 3-inch, 7-inch and 11-inch sizes for optimal retainer placement.



Universal Retainer Support

Kit accommodates non-vertical configurations often needed on grain carts and wagons.

CRANK ASSEMBLIES



Wil-Slip™ Joint

Pull-out crank assembly bypasses hinges and rear doors. Requires a 26-inch cap depth.

END CAPS



Galvanized Steel

Weld-free construction offers corrosion resistance and front guard reduces wind whip.



Aluminum

Sharper match for aluminum trailers. High-rise option provides more space for loads.



Easy-Off Aluminum

Anchors with an over-center clamp inside box for easier access and faster removal.



Fabric

Forms watertight seal where tarp and trailer meet. Flexes to prevent loading damage.



Easy-Off Fabric

Facilitates fast, easy removal. Bolts on or secures with bungee cord tiedowns.



Universal Aluminum

Flat, 22-inch extension gets cut and shaped at install. For trailers with hard-to-fit fronts.



Stainless Steel

For increased corrosion resistance, more durable performance and sharper appearance.



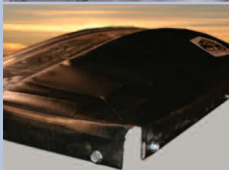
Fabric Flap/Poorboy Tail

Increased loading space and cargo protection. Poorboy tail is built right into tarp.



Universal Flat

Flat, 22-inch extension helps minimize total height of trailer for hard-to-fit models.



Combo Cap

Arched fixed aluminum surface for an improved seal and less wear on fabric portion.

HOLD-DOWNS



Strap Tiedown

Fast and easy to use. Durable; withstands use and abuse. In 7-foot and 9-foot lengths.



Ratchet Hold-Down

Available in D-ring and feed-through hook styles. Optional quick-release straps.

LATCHPLATES



Galvanized Steel

Runs entire length of box to provide resistance for the roll tube to snug up against.



Aluminum

Lighter-weight version of galvanized latchplate, provides a sharper appearance.

RETURNS



PBR Rope

Solid braid run through hole in tarp helps to pull tarp over. Secures with box hooks.



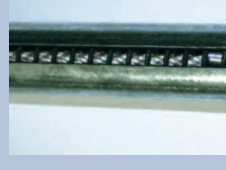
Stretch Cord

Helps guide front of roll tube across the end cap. Protective cover reduces fraying.



Cable Return

Uses a non-stretch cable and steel tension spring. Installs on front or rear of trailer.



Shur-Return™

Non-stretch solid braid rope with heavy-duty steel tension spring. Works well in cold.

RIDGE SUPPORTS



Ridge Strap

Stretch-resistant webbing prevents tarp sag between bows. In 1-inch and 2-inch sizes.



Stainless Ridge Strap

Same design as our standard ridge strap – in stainless steel for more corrosion protection.



Dual Ridge Straps

Offset placement offers a larger opening and clear flow for loading. Cuts grain splatter.



Rollaway Ridgepole

Steel pole with protective end caps. Slides into pocket, then rolls up along with tarp.

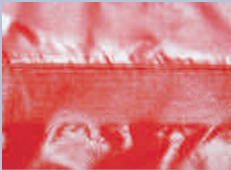
ROLL TUBE DEFLECTORS



Molded Deflector

Reduces dings and scratches on carts and trailers. High-impact plastic, in black or gray.

TARP OPTIONS



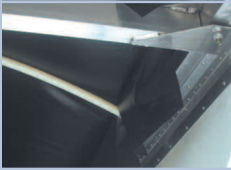
Solid Vinyl-Coated Fabric

Heat-welded seams provide an added moisture barrier. Built-in UV inhibitors resist fading.



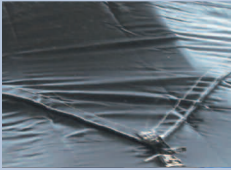
Mesh Fabric

Durable lightweight fabric offers good air circulation in addition to secure containment.



Active Decontamination Flap

Helps keep product off of top rails after loading, dumping it back into load.



Load Hole Flap

Velcro® with buckle fastener facilitates all-weather loading, dust control. Not waterproof.



Multicolored Fabric

Custom color creates high visibility for instant recognition. Acts as a deterrent to theft.

TARP REPAIR



Standard Kit

One pint of cleaner, 1 quart of vinyl cement and 10 square feet of vinyl-coated fabric.



Professional Kit

Includes a Wagner heat gun, scissors, roller, 10 square feet of fabric and instructions.

TARP STOPS



Standard

Attaches fixed tube to side of trailer. Protective rubber top guards tarp from sharp edges.



3" Offset

Configured to store tarp off to side of top rail for additional loading space.



Recessed

Wraps outside of narrow top rail on grain carts. Accommodates lip in-lip out top rails.



Easy-Off

Permits fast, easy tarp removal with minimal tools. Self-cleaning – no grain buildup.



Flexible Easy-Off

Bends even in subzero cold. Impact and abrasion resistant with embedded safety plates.



6" Offset Easy-Off

For maximum loading space. Self-cleaning design prevents buildup around fixed tube.



6" Offset Flexible Easy-Off

All the advantages of regular 6-inch offset easy-off stops, plus cold-temp flexibility.



Easy-Off Belt Flex

Belted design flexes in low-clearance situations to keep from damaging tarp stop.



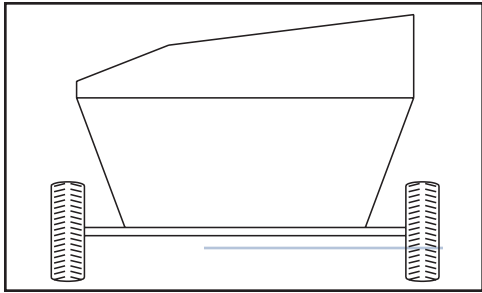
Powder-Coated/Stainless

Our basic easy-off stop – with a black powder-coated finish and stainless steel stop body for extra corrosion protection.

SHUR-LOK® BOX DETAILS | For Grain Carts and Wagons

Shur-Lok® tarps are custom made to order and are nonreturnable. The correct measurements are essential for proper tarp fit. Please provide all requested information or your order may be delayed.

Please do not use universal box sizes; always use the actual physical measurements. Box size and finished tarp size are not the same.



NOTE: If ordering galvanized caps, make sure the box is flat across the top. The above illustration shows a box with an uneven angle across the top. Galvanized caps will not fit this box; you must order fabric caps.

MAKE _____ MODEL _____ YEAR _____

A _____ UPPER OUTSIDE BOX LENGTH

B _____ UPPER OUTSIDE BOX WIDTH

Front _____ Center _____ Rear _____

N _____ TOP RAIL WIDTH

U _____ INSIDE BOX WIDTH

X _____ UPPER OUTSIDE BOX HEIGHT

FRONT CONFIGURATION

VERTICAL SLOPED

BOX EXTENSION STYLE

FLAT SLANTED FLAT W/ANGLE
 SLANTED W/ANGLE SLANTED W/OVERHANG
 SLANTED W/OVERHANG AND ANGLE

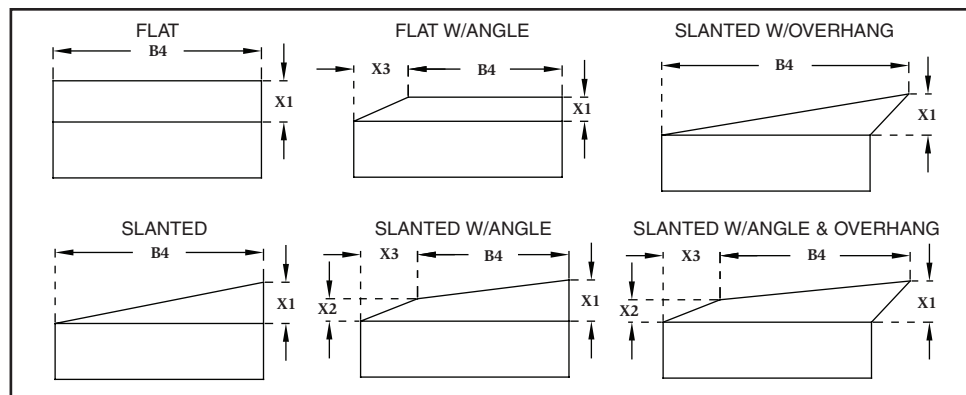
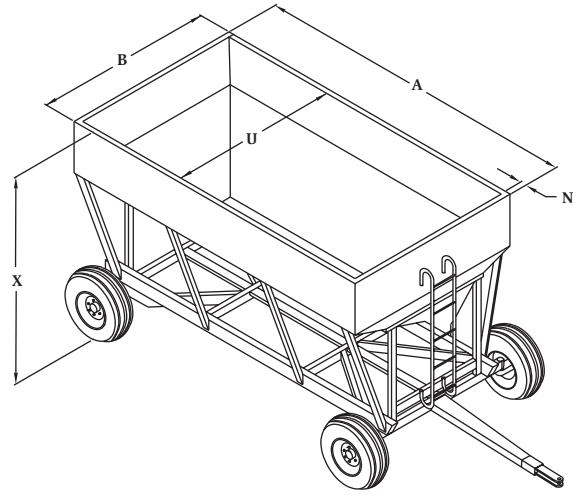
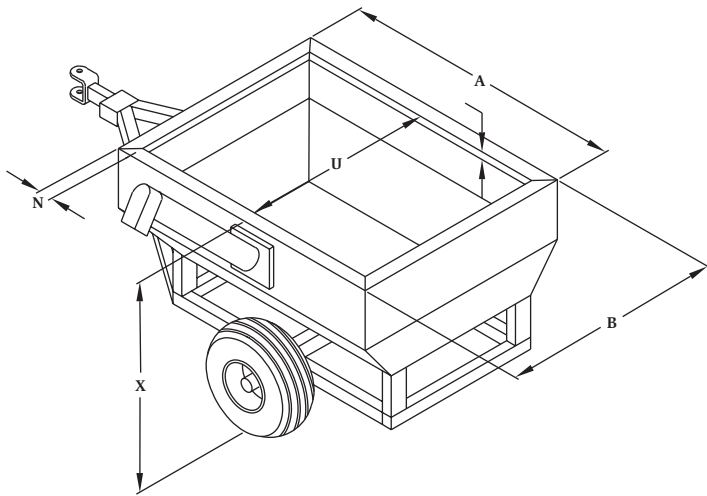
BOX EXTENSION DIMENSIONS

B4 _____ EXTENSION WIDTH

X1 _____ EXTENSION HEIGHT DRIVER SIDE

X2 _____ EXTENSION HEIGHT PASSENGER SIDE

X3 _____ LOWER EXTENSION ANGLE



NOTE: Flat caps can only be used on a SLANTED extension (see above), and the side walls must be vertical.

SHUR-LOK® BOX DETAILS | For Farm Bodies, Fertilizer Tenders and Spreaders

MAKE _____ MODEL _____ YEAR _____

A _____ UPPER BOX LENGTH

B _____ UPPER BOX WIDTH

Front _____ Center _____ Rear _____

N _____ TOP RAIL WIDTH

U _____ INSIDE BOX WIDTH

X _____ OUTSIDE BOX HEIGHT FROM GROUND

LIP IN

LIP OUT

CORNER CONFIGURATION | See Figure 1

SQUARE

DIAGONAL

RADIUS

C _____ OUTSIDE CORNER RADIUS | For all radius fronts

E _____ FLAT ACROSS FRONT

V _____ FLAT ACROSS DIAGONAL

W _____ DIAGONAL DEPTH

IF SPREADER:

GRANULAR BIN: INSIDE BOX OUTSIDE BOX

SPREADER STYLE: SELF-PROPELLED AIR SYSTEM

SPINNER PULL-TYPE SPINNER

IF TENDER:

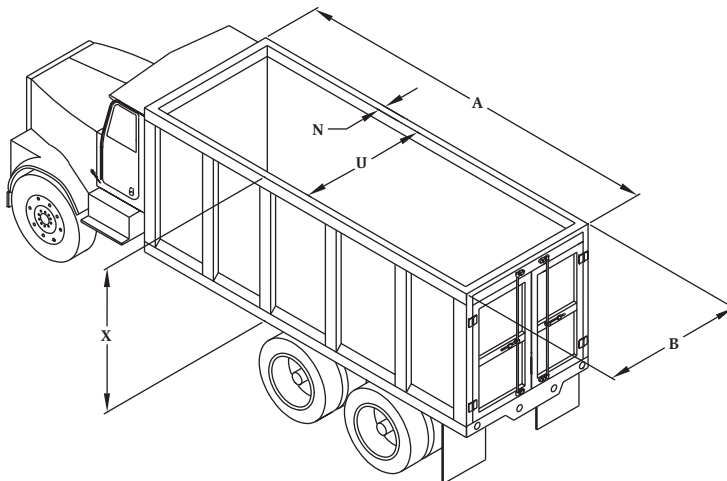
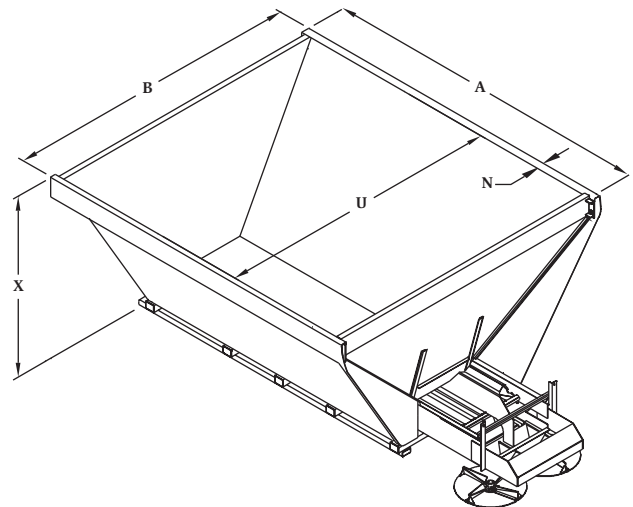
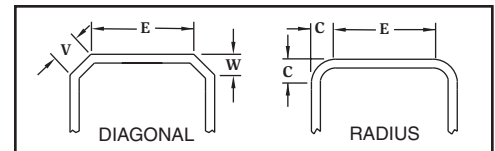
MOUNTING STYLE: TRUCK TENDER

SPREADER STYLE: REAR SIDE-FOLD REAR

REAR OVER BOX

Shur-Lok® tarps are custom made to order and are nonreturnable. The correct measurements are essential for proper tarp fit. Please provide all requested information or your order may be delayed.

Please do not use universal box sizes; always use the actual physical measurements. Box size and finished tarp size are not the same.



SHUR-LOK® BOX DETAILS | For Grain Trailers

Shur-Lok® tarps are custom made to order and are nonreturnable. The correct measurements are essential for proper tarp fit. Please provide all requested information or your order may be delayed.

Please do not use universal box sizes; always use the actual physical measurements. Box size and finished tarp size are not the same.

MAKE _____ MODEL _____ YEAR _____

A _____ UPPER BOX LENGTH

A1 _____ TAPERED UPPER LENGTH

A2 _____ TAPERED LOWER LENGTH

B _____ UPPER BOX WIDTH

Front _____ Center _____ Rear _____

N _____ TOP RAIL WIDTH

U _____ INSIDE BOX WIDTH

X _____ BOX HEIGHT

CORNER CONFIGURATION

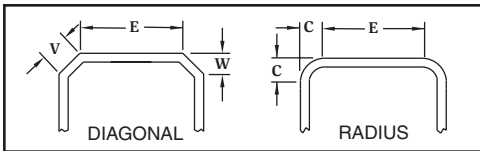
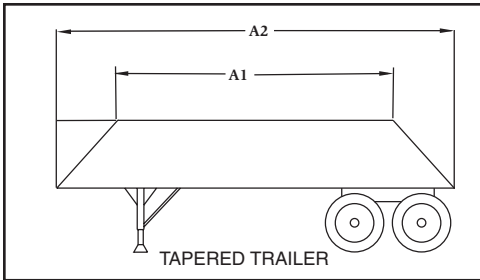
- SQUARE DIAGONAL RADIUS

C _____ OUTSIDE CORNER RADIUS | *For all radius fronts*

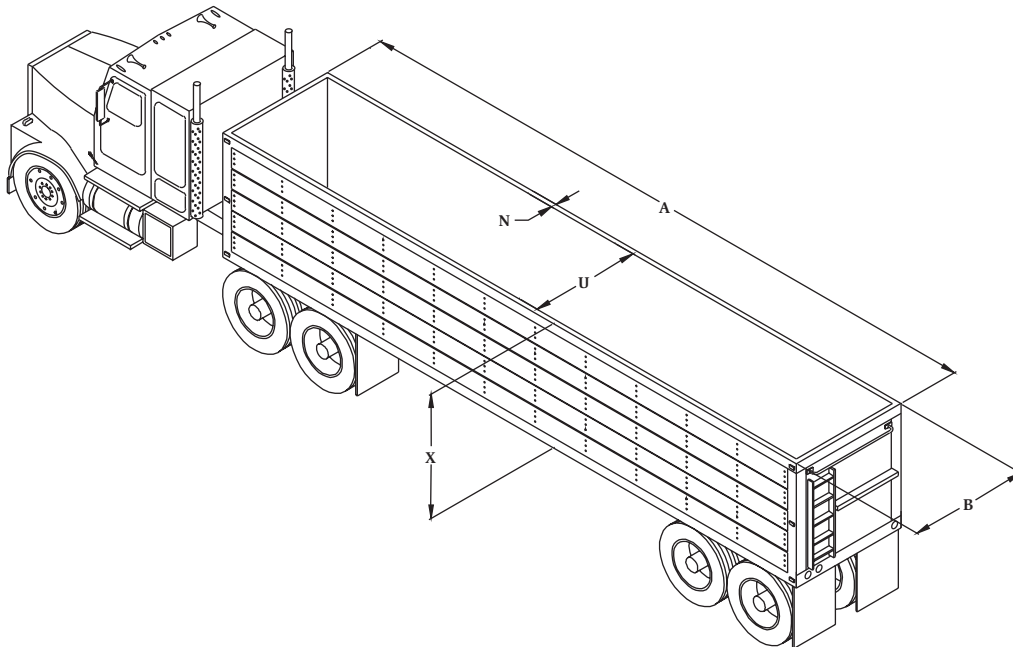
E _____ FLAT ACROSS FRONT

V _____ FLAT ACROSS DIAGONAL

W _____ DIAGONAL DEPTH



To measure radius corners correctly, place a carpenter's square on the front radius of the trailer. Measure at the point where the radius starts to arch around the front of the trailer.



SHUR-LOK® BOX DETAILS | For End Dumps

MAKE _____ MODEL _____ YEAR _____

- A** _____ UPPER BOX LENGTH
B _____ UPPER BOX WIDTH
 Front _____ Center _____ Rear _____
N _____ TOP RAIL WIDTH
U _____ INSIDE BOX WIDTH
X _____ BOX HEIGHT

CORNER CONFIGURATION | Must select one

- SQUARE DIAGONAL RADIUS/NO RECESS
 SQUARE RECESS DIAGONAL RECESS

- C** _____ OUTSIDE CORNER RADIUS | *For all radius fronts*
D _____ RECESSED WIDTH **E** _____ FLAT ACROSS FRONT
F _____ FRONT-CORNER POST **G** _____ GUSSET LENGTH
V _____ FLAT ACROSS DIAGONAL **W** _____ DIAGONAL DEPTH

TARP RAIL STYLE

- SQUARE SELF CLEANING SQUARE W/PLANKS*

*Are planks flush with outside of top rail? Y / N (Circle one)

TARP RAIL DROP

- FRONT REAR

- L** _____ BULKHEAD DEPTH **O1** _____ FRONT TOP RAIL DROP
M _____ THRESHOLD DEPTH **O2** _____ REAR TOP RAIL DROP

FRONT END STYLE

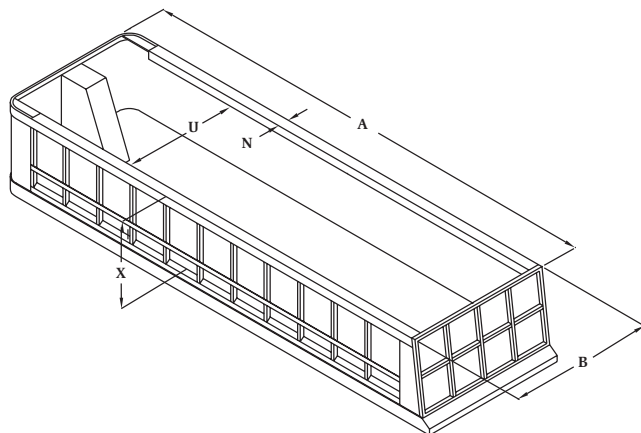
- RAISED FRONT SHIELD RAISED SHIELD/FLAT TOP RAIL
 SLANT W/CURVED RAISED FRONT SLANT W/SQUARE RAISED FRONT
 SQUARE TUB W/INVERTED RAM

- AD** _____ CYLINDER HEIGHT **J** _____ UPPER SHIELD WIDTH
AE _____ DOGHOUSE DEPTH **J1** _____ DOGHOUSE WIDTH
H _____ SHIELD HEIGHT **K** _____ LOWER SHIELD WIDTH

REAR DUMP STYLE

- OVERSLUNG HINGE GATE COMBO DOOR HINGE GATE
 HIGH POWER LIFT GATE RAISED HINGE GATE

- AF** _____ HINGE DEPTH
B _____ BOX WIDTH/REAR
AK _____ HINGE HEIGHT



Shur-Lok® tarps are custom made to order and are nonreturnable. The correct measurements are essential for proper tarp fit. Please provide all requested information or your order may be delayed.

Please do not use universal box sizes; always use the actual physical measurements. Box size and finished tarp size are not the same.

